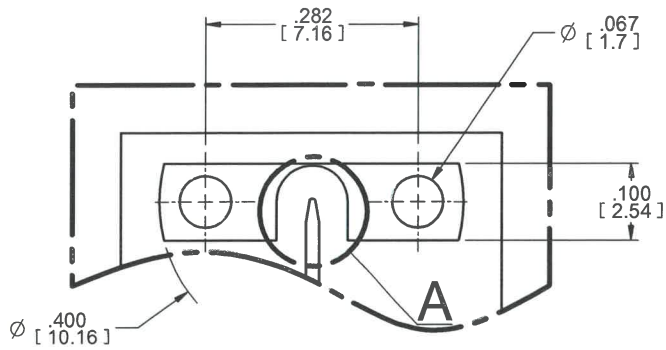


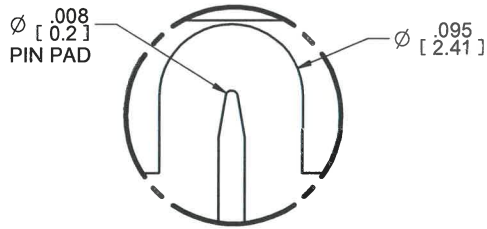
MODEL No.:

10359-002J

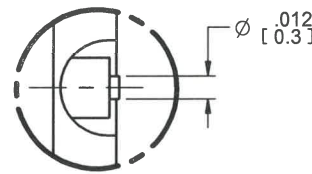
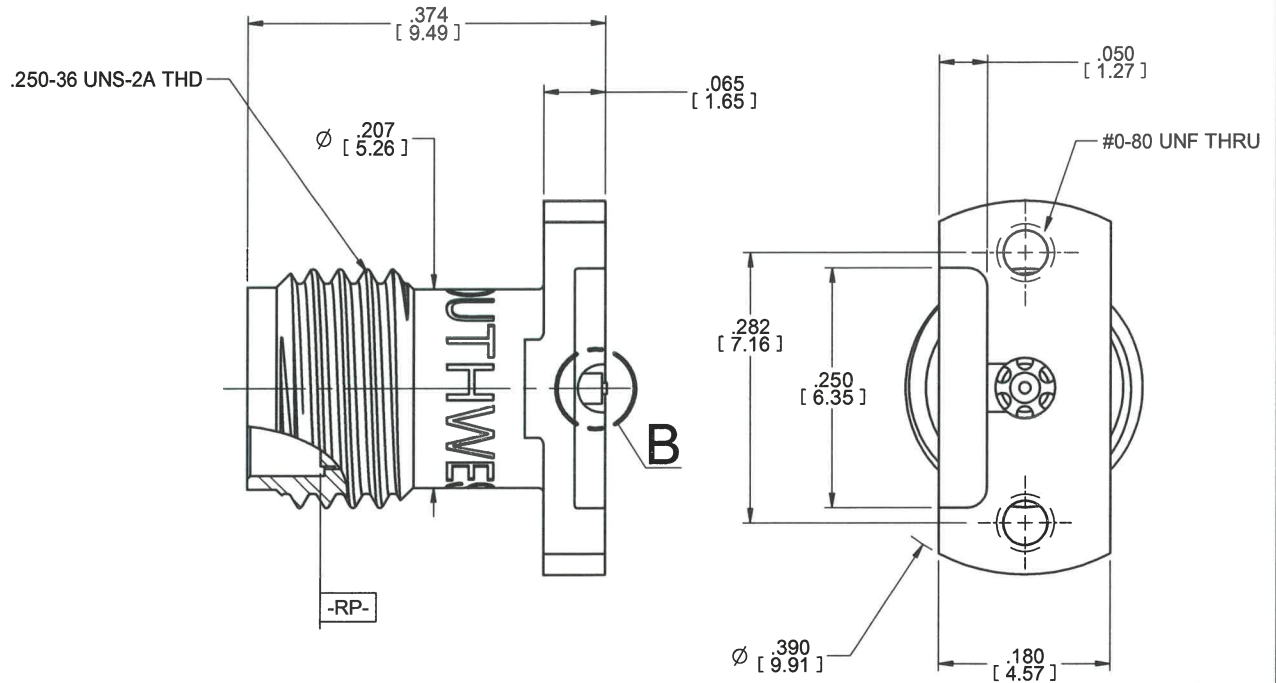
NOTE: Information herein is believed by Southwest Microwave, Inc. to be accurate. However, Southwest Microwave assumes no responsibility for any omissions or errors or inaccuracies for its use or for any infringements of patents or other rights of third parties that may result from its use. Data is intended for informational purpose only and does not constitute a contract of sale or any express or implied warranty, including any warranty of merchant ability or fitness for a particular purpose.



PCB MOUNTING DETAIL



DETAIL A



DETAIL B

DOCUMENT CONTROL
JAN 07 2019

HOUSING:	STEEL, CRES ALLOY UNS-30300 PER ASTM A582 PASSIVATED PER ASTM A967-99
CONTACT:	BeCu UNS-C17300 PER ASTM B196/197 GOLD PLATE PER MIL-DTL-45204
CAPTURE BEAD:	ULTEM 1000 PER ASTM D5205
ITEM	MATERIAL & FINISH

SPECIFICATIONS	91K68805
INTERFACE	91K52019
SPECIFICATION GROUP	DRAWING NO.

1. ALL DIMENSIONS ARE IN INCHES. ALL ANGLES ARE IN DEGREES. DIMENSIONS SHOWN IN BRACKETS [XXX] ARE IN MILLIMETERS.

NOTES: UNLESS OTHERWISE SPECIFIED.

REV X0	PROTOTYPE RELEASE	APRVD DE	DATE: 1/7/19
--------	-------------------	----------	--------------



Southwest Microwave, Inc.
9055 South McKemy Street
Tempe, Arizona 85284-2946
Telephone (480) 783-0201
Fax (480) 783-0360

TITLE		10359-002J	
		2.92 J 2H VRT LAUNCH	
DRN BY: JAC	DATE: 12/10/18	DWG. NO.	REV. X0
SCALE: 5:1			
SHEET: 1 OF 1		79K68454	