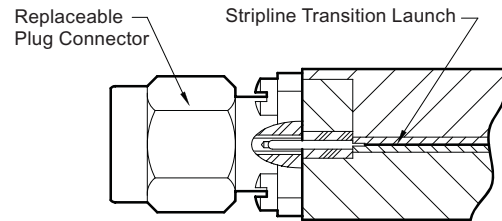
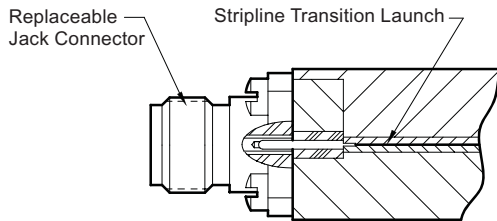


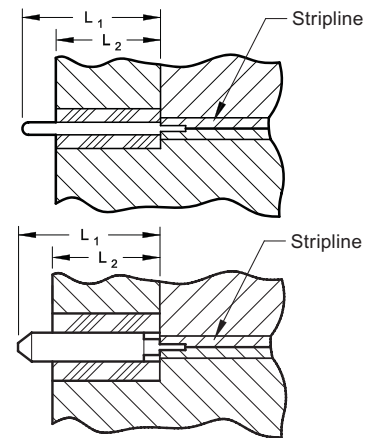
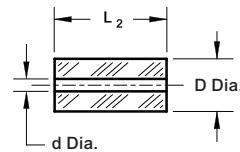
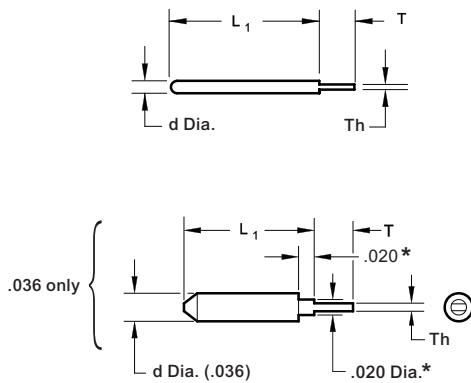
Launch Pin/Tab Transitions To Stripline Circuits

For Flange Mount Connectors

Launch Pin/Tab and Dielectric Transition to Stripline



Dielectric Transition



Materials / Construction:

- Launch Pin: BeCu Per ASTM B196
- Plating: Gold Over Nickel Per MIL-G-45204
- Dielectric: Virgin PTFE Fluorocarbon Per ASTM D1710

.036	.117	.050	.004	.175	.125	290-35G	290-35P	290-35D
				.237	.187	290-34G	290-34P	290-34D
.020	.064	.050	.004	.160	.125	290-27G	290-27P	290-27D
				.225	.187	290-26G	290-26P	290-26D
.015	.048	.040	.004	.160	.125	290-25G	290-25P	290-25D
				.225	.187	290-24G	290-24P	290-24D
.012	.039	.025	.004	.160	.125	1090-06G	1090-06P	1090-06D
				.225	.187	1090-07G	1090-07P	1090-07D
.009	.029	.015	.003	.160	.125	1490-03G	1490-03P	1490-03D
				.225	.187	1490-02G	1490-02P	1490-02D
d Dia.	D Dia.	T	Th	L1	L2	Pin/Tab & Dielectric	Pin/Tab Only	Dielectric Only
Refer to Installation and Tools Section for Drill Information and Tools.							Accessory No.	