

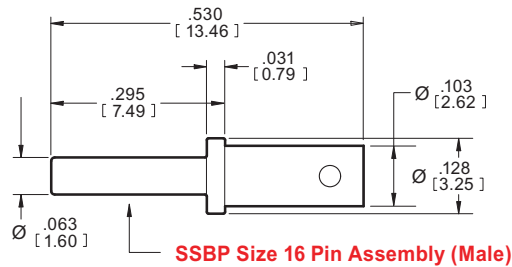
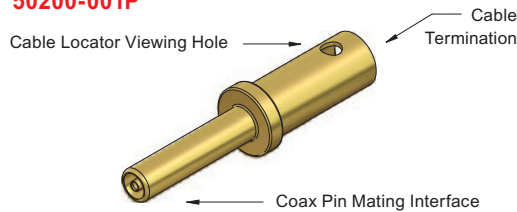
For use with Size 16 contact cavities for circular connectors per MIL-DTL-38999 and equivalents having the same contact cavity and interface dimensions.

SSBP Coax Size & Gender	MIL-DTL-38999 Series Δ	SSBP Coax No.	Cables Δ
16P	I, II, III, IV	50200-001P	.086 solid core flex or S/R (any supplier), Insulated Wire IW-1251
16P	I, II, III, IV	50200-002P	LL086, Temp-Flex 086-2201
16P	I, II, III, IV	50200-003P	.047 solid core flex or S/R (any supplier)
16S	I, III, IV	51200-001S	.086 solid core flex or S/R (any supplier), Insulated Wire IW-1251
16S	I, III, IV	51200-002S	LL086, Temp-Flex 086-2201
16S	I, III, IV	51200-003S	.047 solid core flex or S/R (any supplier)
16S	II	51201-001S	.086 solid core flex or S/R (any supplier), Insulated Wire IW-1251
16S	II	51201-002S	LL086, Temp-Flex 086-2201
16S	II	51201-003S	.047 solid core flex or S/R (any supplier)

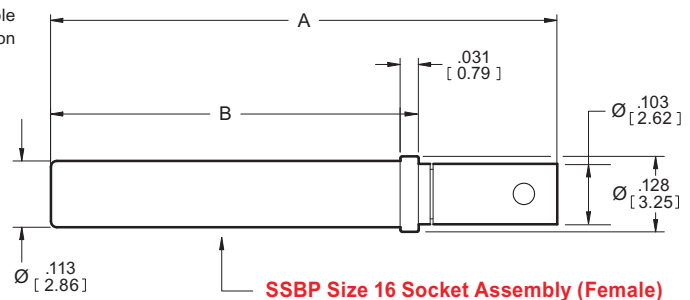
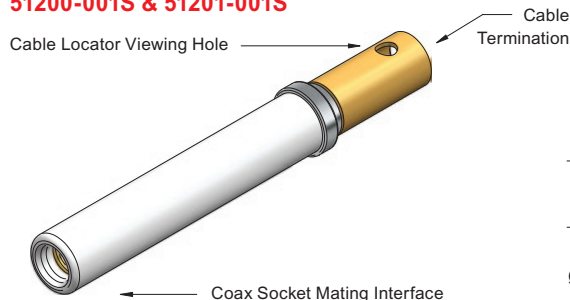
- Δ Contact Southwest Microwave for other connectors and cable options, including 75-ohm assemblies.
- Δ Contact Southwest Microwave for outline drawings and assembly instructions for specific SSBP coaxes.
- Δ Series II MIL-DTL-38999 uses different socket (female) contacts than Series I, III, IV.

Dimensions: Δ

50200-001P



51200-001S & 51201-001S



MIL-DTL-38999 Series Δ	SSBP Coax No.	Dimensions, SSBP-16 Sockets / Female Coaxes	
		A	B
I, III, IV	51200-001S	.859 [21.82]	.624 [15.85]
II	51201-001S	.518 [13.16]	.284 [7.21]