

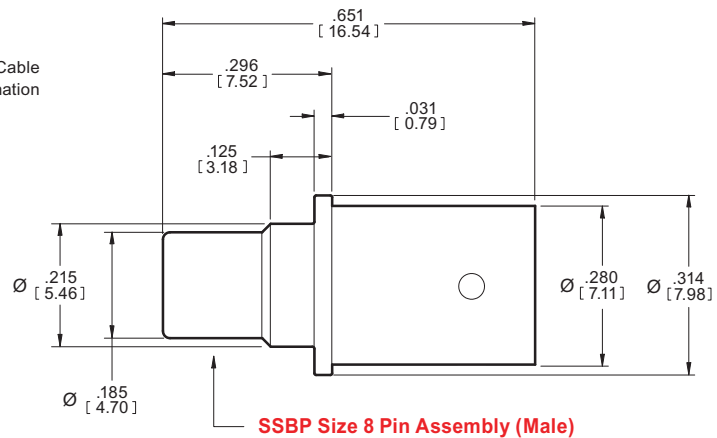
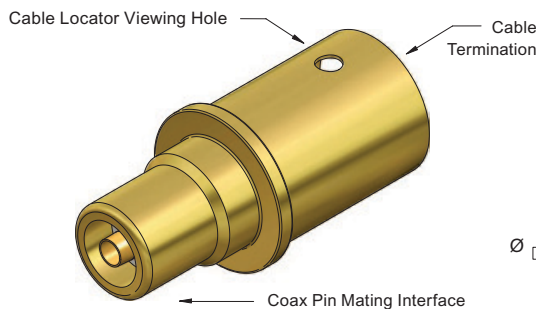
For use with Size 8 contact cavities for circular connectors per MIL-DTL-38999 Series I, III, IV and equivalents having the same contact cavity and interface dimensions.

SSBP Coax Size & Gender	SSBP Coax No.	Cables \triangle
8P	50600-001P	0.264 braid OD, Harbour LL-285 or LLS-290
8P	50600-002P	.141 solid core flex or S/R (any supplier)
8P	50600-003P	.086 solid core flex or S/R (any supplier)
8S	51600-001S	0.264 braid OD, Harbour LL-285 or LLS-290
8S	51600-002S	.141 solid core flex or S/R (any supplier)
8S	51600-003S	.086 solid core flex or S/R (any supplier)

- \triangle Contact Southwest Microwave for other connectors and cable options, including 75-ohm assemblies.
 \triangle Contact Southwest Microwave for outline drawings and assembly instructions for specific SSBP coaxes.

Dimensions: \triangle

50600-001P



51600-001S

