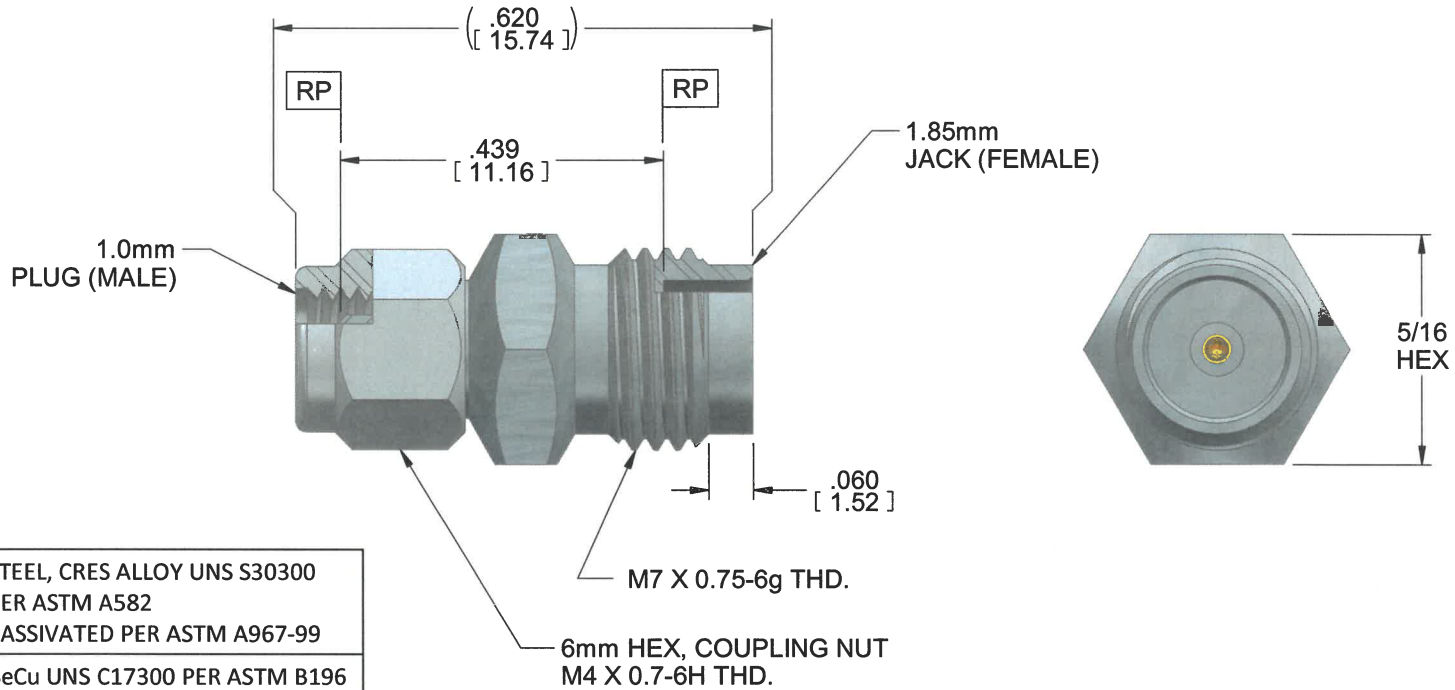


MODEL No.:

182420-00SF


NOTE: Information herein is believed by Southwest Microwave, Inc. to be accurate. However, Southwest Microwave assumes no responsibility for any omissions or errors or inaccuracies for its use or for any infringements of patents or other rights of third parties that may result from its use. Data is intended for informational purpose only and does not constitute a contract of sale or any express or implied warranty, including any warranty of merchant ability or fitness for a particular purpose.



HOUSING AND COUPLING NUT:	STEEL, CRES ALLOY UNS S30300 PER ASTM A582 PASSIVATED PER ASTM A967-99
CONTACT:	BeCu UNS C17300 PER ASTM B196 GOLD PLATE PER MIL-DTL-45204
CAPTURE BEAD:	ULTEM 1000 PER ASTM D5205
RETAINING RING:	BeCu UNS C17200 PER ASTM B194 OR ASTM B197
ITEM	MATERIAL & FINISH

SPECIFICATIONS	91Y68461
INTERFACE 1.0mm	91W68460
INTERFACE 1.85mm	91R58312
SPECIFICATION GROUP	DRAWING

1. ALL DIMENSIONS ARE IN INCHES. ALL ANGLES ARE IN DEGREES. DIMENSIONS SHOWN IN BRACKETS [XXX] ARE IN MILLIMETERS. NOTES: UNLESS OTHERWISE SPECIFIED.

REV A	ECN 9729	REV BY ELC	APRVD SW	DATE 03/07/18
				
Southwest Microwave, Inc. 9055 South McKemy Street Tempe, Arizona 85284-2946 Telephone (480) 783-0201 Fax (480) 783-0360				

TITLE			
182420-00SF 1.85mm Jack (Female) to 1.0mm Plug (Male) Adapter			
DRN BY: ELC	DATE: 03/06/18	DWG. NO.	REV.
SHEET: 1 OF 1		79Y63781	A