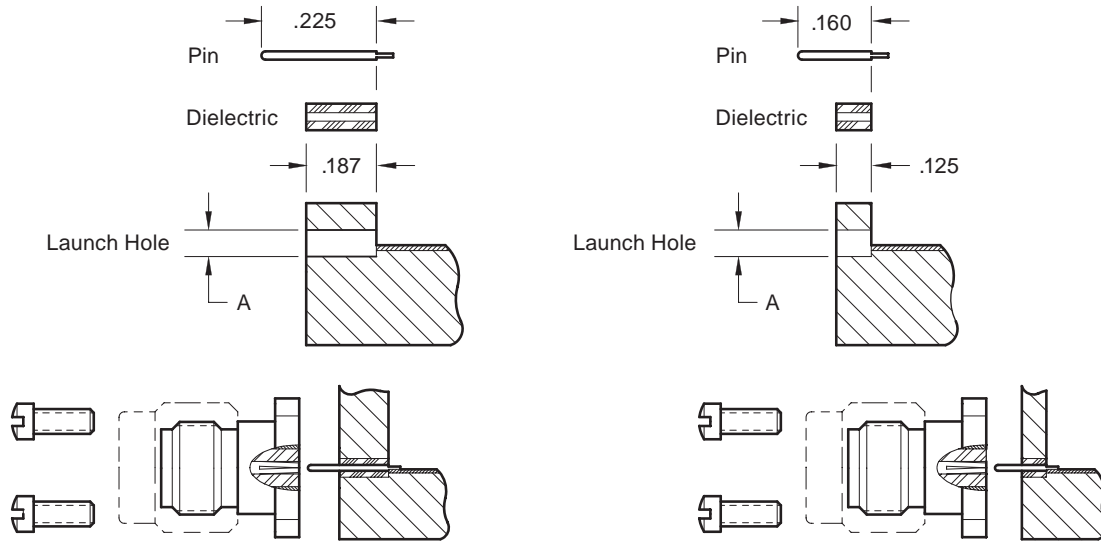
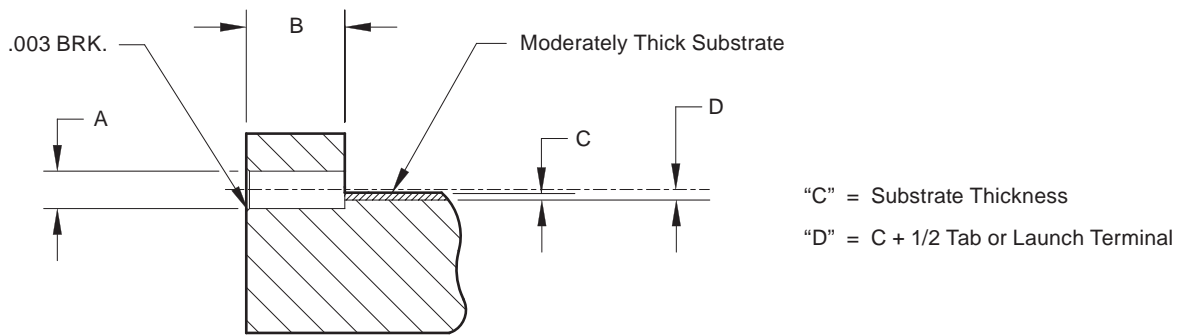


## Dielectric and Launch Pin or Launch Pin/Tab Transitions for Flange Mount Connectors



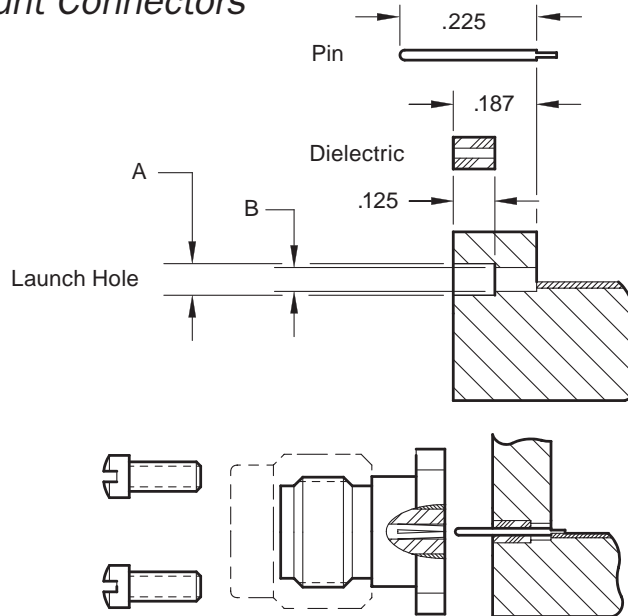
### Recommended Launch Hole Dimensions



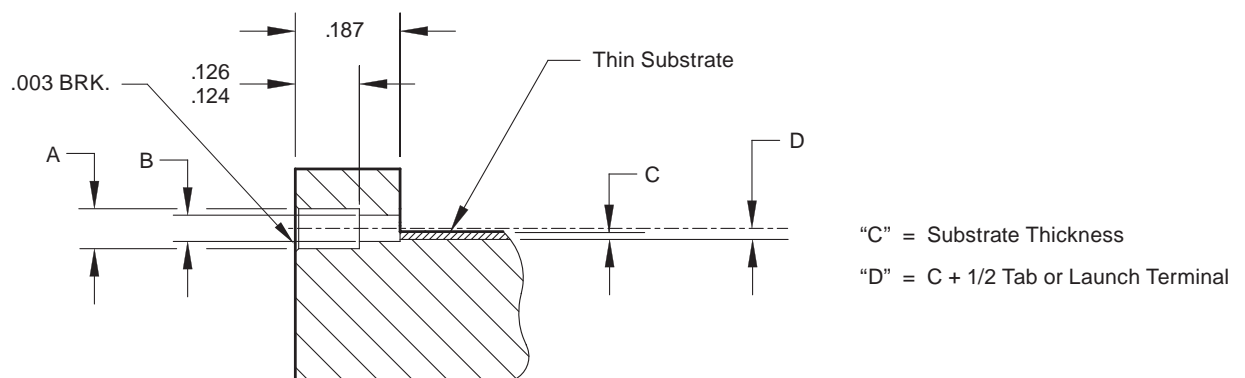
.036	.237	.116	#32	.187
.020	.160	.0635	#52	.125
.020	.225	.0635	#52	.187
.015	.160	.0492	1.25 mm	.125
.015	.225	.0492	1.25 mm	.187
.012	.160	.039	#61	.125
.012	.225	.039	#61	.187
.009	.160	.029	#69	.125
.009	.225	.029	#69	.187
<b>For Pin Dia.</b>	<b>For Pin Length</b>	<b>“A” Dia. (Drill #) ± .0003</b>		<b>“B” ± .002</b>

## Dielectric and Launch Pin or Launch Pin/Tab (Optional Airline Step-Transition)

For Panel Mount Connectors



### Recommended Launch Hole Dimensions



.036	.237	.116	#32	.0465	#56
.020	.225	.0635	#52	.0465	#56
.015	.225	.0492	1.25 mm	.0335	0.85 mm
.012	.225	.039	#61	.0276	0.70 mm
.009	.225	.029	#69	.0210	#75
<b>For Pin Dia.</b>	<b>For Pin Length</b>	<b>“A” Dia. (Drill #) ± .0003</b>		<b>“B” Dia. (Drill #) ± .0003</b>	