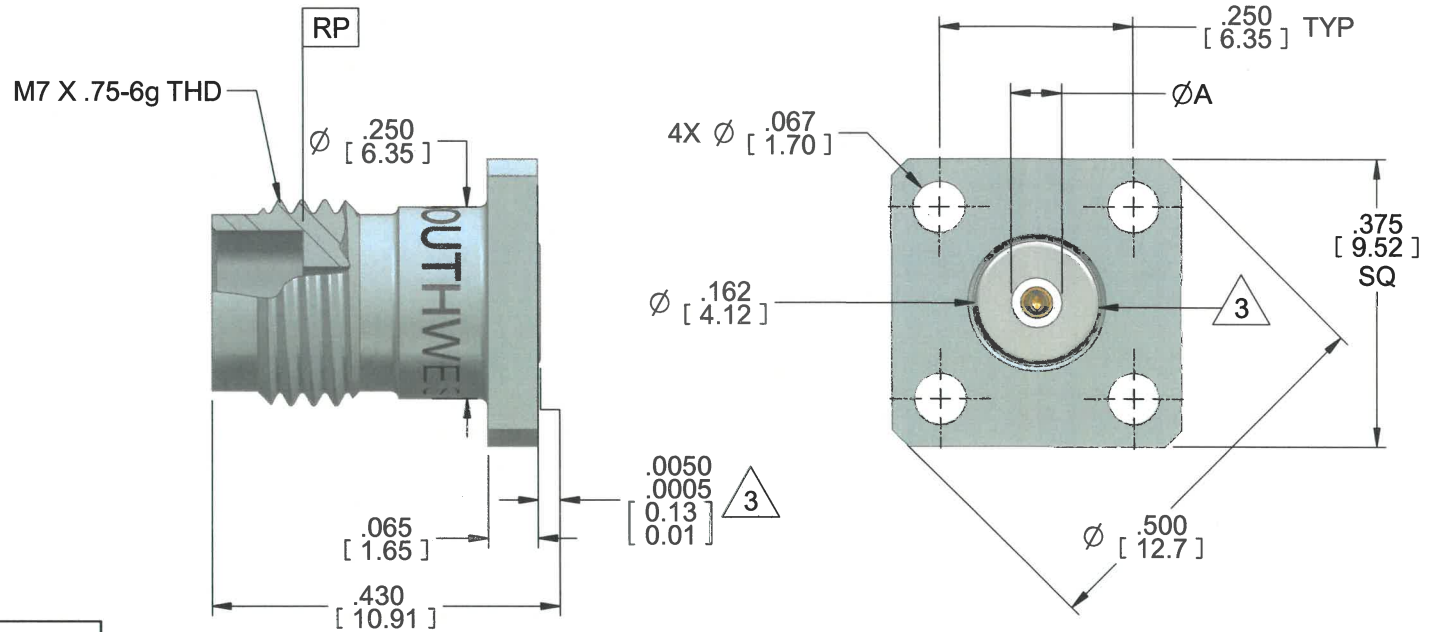


NOTE: Information herein is believed by Southwest Microwave, Inc. to be accurate. However, Southwest Microwave assumes no responsibility for any omissions or errors or inaccuracies for its use or for any infringements of patents or other rights of third parties that may result from its use. Data is intended for informational purpose only and does not constitute a contract of sale or any express or implied warranty, including any warranty of merchant ability or fitness for a particular purpose.



HOUSING:	STEEL, CRES ALLOY UNS-S30300 PER ASTM A582 PASSIVATED PER ASTM A967-99
CONTACT:	BeCu UNS-C17300 PER ASTM B196 GOLD PLATE PER MIL-DTL-45204
BEAD:	KEL-F (PCTFE) PER ASTM D1430
CAPTURE BEAD:	ULTEM 1000 PER ASTM D5205
ITEM	MATERIAL & FINISH


Model	Pin Size	Max. Pin Depth	$\phi A$
1412-04SF	.020	.065	.0651
1412-07SF	.015	.100	.0552
1412-03SF	.012	.085	.0483
1412-06SF	.009	.065	.0421

3. 360° RAISED METAL GROUNDING RING.

2. SEE DOCUMENT NO. 91P60874 FOR PRODUCT SPECIFICATIONS.

1. ALL DIMENSIONS ARE IN INCHES. ALL ANGLES ARE IN DEGREES. DIMENSIONS SHOWN IN BRACKETS [XXX] ARE IN MILLIMETERS.

NOTES: UNLESS OTHERWISE SPECIFIED.

REV A1	ECN 9788	REV BY: JAC	DATE: 05/31/18	APRVD. SW	DATE: 06/01/18	TITLE
 <p>Southwest Microwave, Inc. 9055 South McKerny Street Tempe, Arizona 85284-2946 Telephone (480) 783-0201 Fax (480) 783-0360</p>						<p><b>2.40 Jack (Female)</b> <b>.375" Square Flange</b></p>
DRN BY: EAG		DATE: 7/13/12		DWG. NO.		REV.
SHEET: 1 OF 1		91P60863		A1		