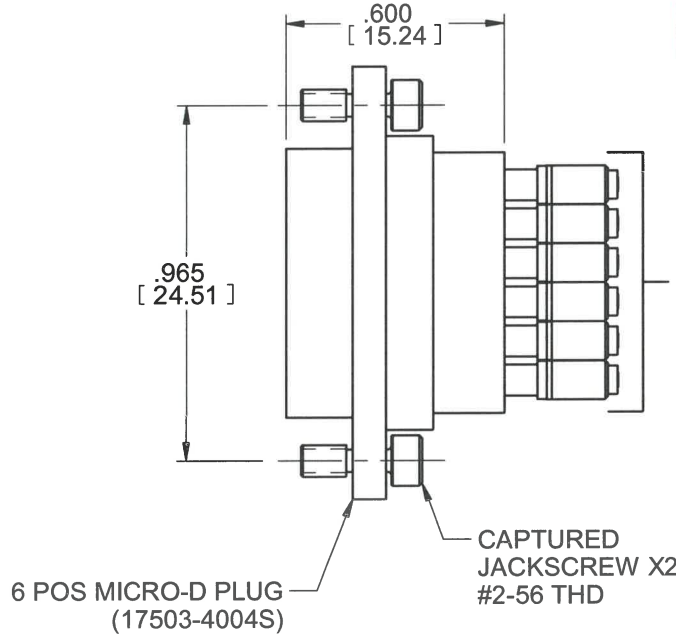
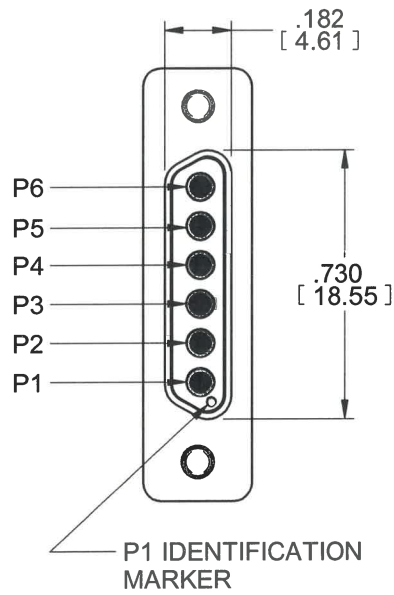


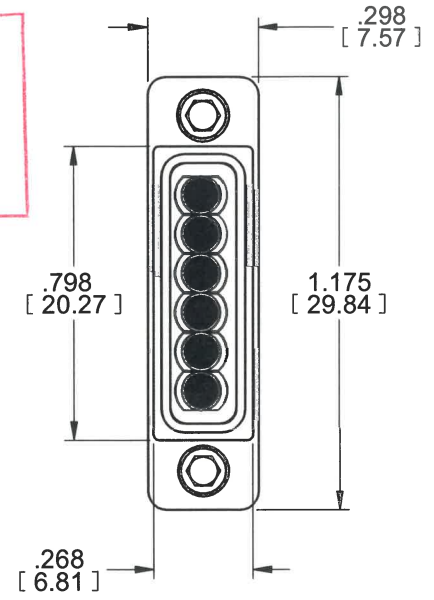
MODEL No.:

17701-2004

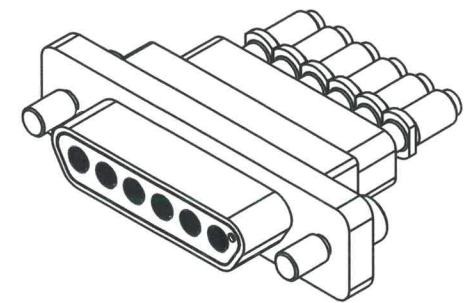
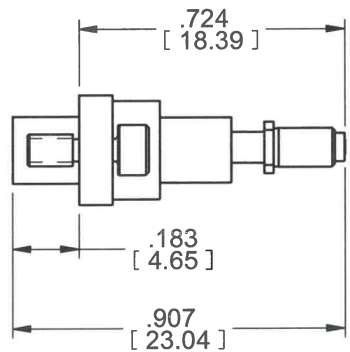
NOTE: Information herein is believed by Southwest Microwave, Inc. to be accurate. However, Southwest Microwave assumes no responsibility for any omissions or errors or inaccuracies for its use or for any infringements of patents or other rights of third parties that may result from its use. Data is intended for informational purpose only and does not constitute a contract of sale or any express or implied warranty, including any warranty of merchant ability or fitness for a particular purpose.




DOCUMENT CONTROL
SEP 25 2019



Micro-D	-ALUMINUM ALLOY UNS A96061, ELECTROLESS NICKEL PLATE FINISH. -ULTEM 1000. - BeCu UNS-C17200. -SERIES 300 STAINLESS STEEL, PASSIVATE FINISH. -EPOXY
50 Ohm TERMINATION	-BeCu UNS C17300, GOLD PLATE FINISH -ULTEM 1000. -PTFE FLUOROCARBON. -SERIES 300 STAINLESS STEEL, PASSIVATE FINISH.
ITEM	MATERIAL & FINISH



- CONTACT CAVITIES WILL ALSO ACCEPT SIGNAL SOCKET COAX CONTACTS PER MIL-C-39029/63.
 - ALL 50 Ohm TERMINATION CONTACTS ARE INSERTABLE AND REMOVEABLE.
 - ALL DIMENSIONS ARE IN INCHES. ALL ANGLES ARE IN DEGREES. DIMENSIONS SHOWN IN BRACKETS [XXX] ARE IN MILLIMETERS.
- NOTES: UNLESS OTHERWISE SPECIFIED.

REV A	RELEASE	APRVD. MCD	DATE: 09/25/19	TITLE 17701-2004 MICRO-D 6 PIN with 6 50 OHM TERMINATIONS			
 Southwest Microwave, Inc. 9055 South McKemy Street Tempe, Arizona 85284-2946 Telephone (480) 783-0201 Fax (480) 783-0360				DRN BY: JAC	DATE: 09/24/19	DWG. NO. 79BP63355	REV. A
				SCALE: 2:1			
				SHEET: 1 OF 1			

MPD-A-0-L-3x