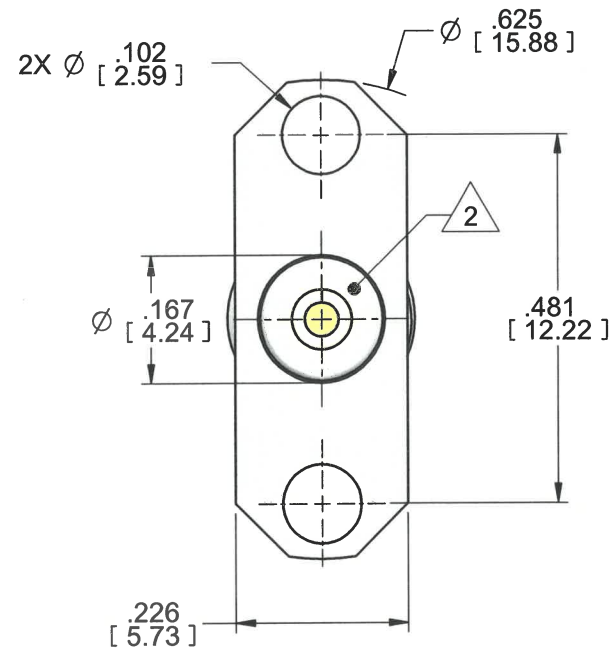
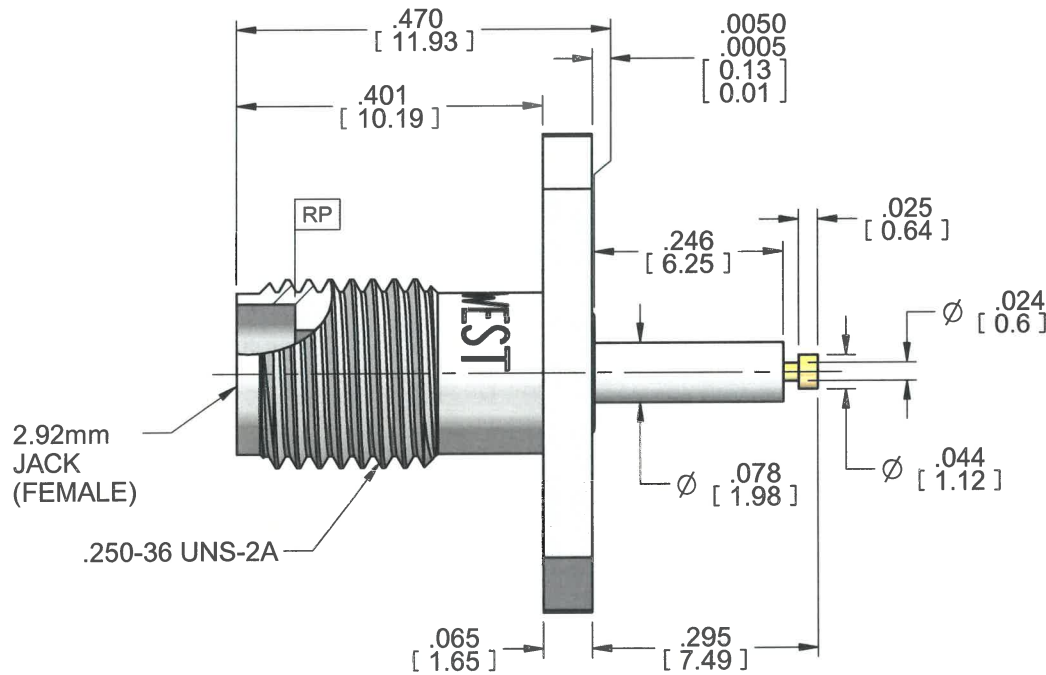


MODEL No.:

1014-37SF

NOTE: Information herein is believed by Southwest Microwave, Inc. to be accurate. However, Southwest Microwave assumes no responsibility for any omissions or errors or inaccuracies for its use or for any infringements of patents or other rights of third parties that may result from its use. Data is intended for informational purpose only and does not constitute a contract of sale or any express or implied warranty, including any warranty of merchant ability or fitness for a particular purpose.




HOUSING:	STEEL, CRES ALLOY UNS-30300 PER ASTM A582, PASSIVATE PER ASTM A967-99
CONTACT:	BeCu ALLOY UNS-C17300 PER ASTM B196. GOLD PLATE PER MIL-DTL-45204
DIELECTRIC:	VIRGIN PTFE FLOUROCARBON PER ASTM D1710, TYPE 1 GRADE 1, CLASS B
CAPTURE BEAD:	ULTEM 1000 PER ASTM D5205
ITEM	MATERIAL & FINISH

DOCUMENT CONTROL
 JUL 18 2019

2. 360° RAISED METAL GROUNDING RING

1. ALL DIMENSIONS ARE IN INCHES. ALL ANGLES ARE IN DEGREES. DIMENSIONS SHOWN IN BRACKETS [XXX] ARE IN MILLIMETERS.

NOTES: UNLESS OTHERWISE SPECIFIED.

REV X0	PROTOTYPE RELEASE	APRVD. DC	DATE: 7/18/19	TITLE
 Southwest Microwave, Inc. 9055 South McKemy Street Tempe, Arizona 85284-2946 Telephone (480) 783-0201 Fax (480) 783-0360				MODEL: 1014-37SF 2.92 J 2H .401L .625L, W/ .044 NHD PRB
DRN BY: BB	DATE: 7/16/19	DWG. NO.		REV. X0
SCALE: 4:1		79K68927		
SHEET: 1 OF 1				