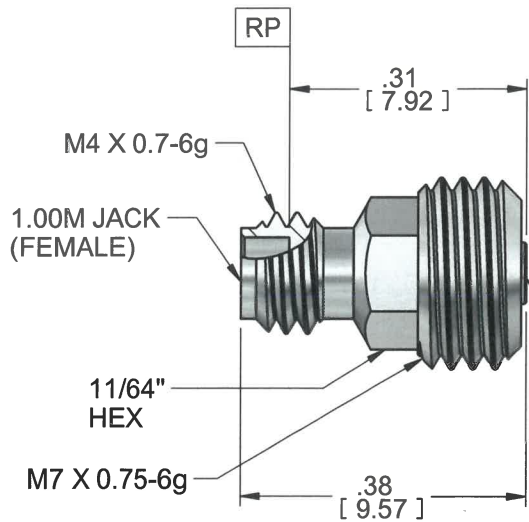
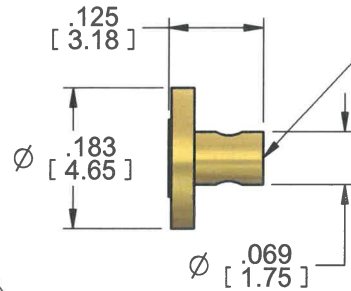


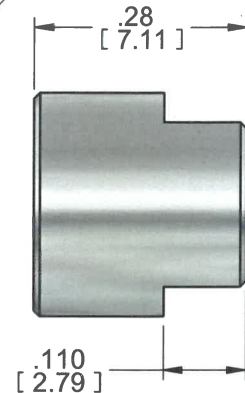
NOTE: Information herein is believed by Southwest Microwave, Inc. to be accurate. However, Southwest Microwave assumes no responsibility for any omissions or errors or inaccuracies for its use or for any infringements of patents or other rights of third parties that may result from its use. Data is intended for informational purpose only and does not constitute a contract of sale or any express or implied warranty, including any warranty of merchant ability or fitness for a particular purpose.



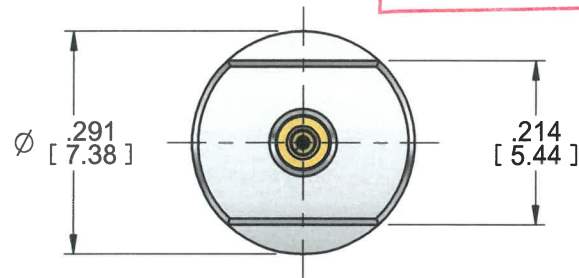
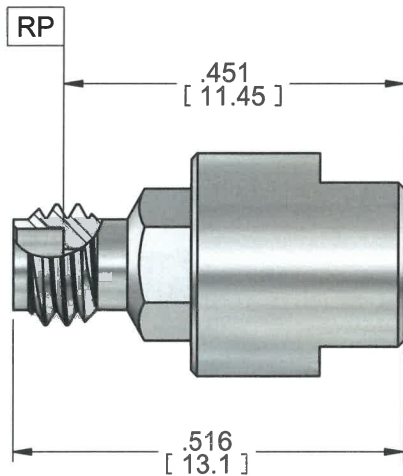
ACCEPTS OUTER CONDUCTOR DIAMETER OF .031 LOW-LOSS SEMI-RIGID COAXIAL CABLE



REAR SOCKET TO ACCEPT ϕ .008 [.203] CENTER CONDUCTOR



DOCUMENT CONTROL
MAY 17 2019



SPECIFICATIONS	91W61851
INTERFACE	91W68459
CABLE ASSY. INSTR.:	91S59287
SPECIFICATION GROUP	DRAWING NO.

HOUSING:	STEEL, CRES ALLOY UNS-30300 PER ASTM A582
CABLE NUT:	STEEL, CRES ALLOY UNS-30300 PER ASTM A582
CABLE ADP:	C360BRASS ALLOY UNS-C36000 PER ATSM B16 GOLD PLATE PER MIL-DTL-45204
CONTACT:	BeCu UNS-C17300 PER ASTM B196/197 GOLD PLATE PER MIL-DTL-45204
CAPTURE BEAD:	ULTEM 1000 PER ASTM D5205
ITEM	MATERIAL & FINISH

1. ALL DIMENSIONS ARE IN INCHES. ALL ANGLES ARE IN DEGREES. DIMENSIONS SHOWN IN BRACKETS [XXX] ARE IN MILLIMETERS.

NOTES: UNLESS OTHERWISE SPECIFIED.

REV X0	PROTOTYPE RELEASED	DATE: 3/25/19	APRVD: DE	DATE: 5/16/19
--------	--------------------	---------------	-----------	---------------

TITLE
1.0mm JACK (.008) CABLE CONNECTOR
ACCEPTS .031 SEMI-RIGID CABLE



Southwest Microwave, Inc.
9055 South McKemy Street
Tempe, Arizona 85284-2946
Telephone (480) 783-0201
Fax (480) 783-0360

DRN BY: BB	DATE: 3/22/19	MODEL NO. 2402-01SF	REV. X0
SCALE: 4:1		DWG. NO. 79W68853	
SHEET: 1 OF 1			