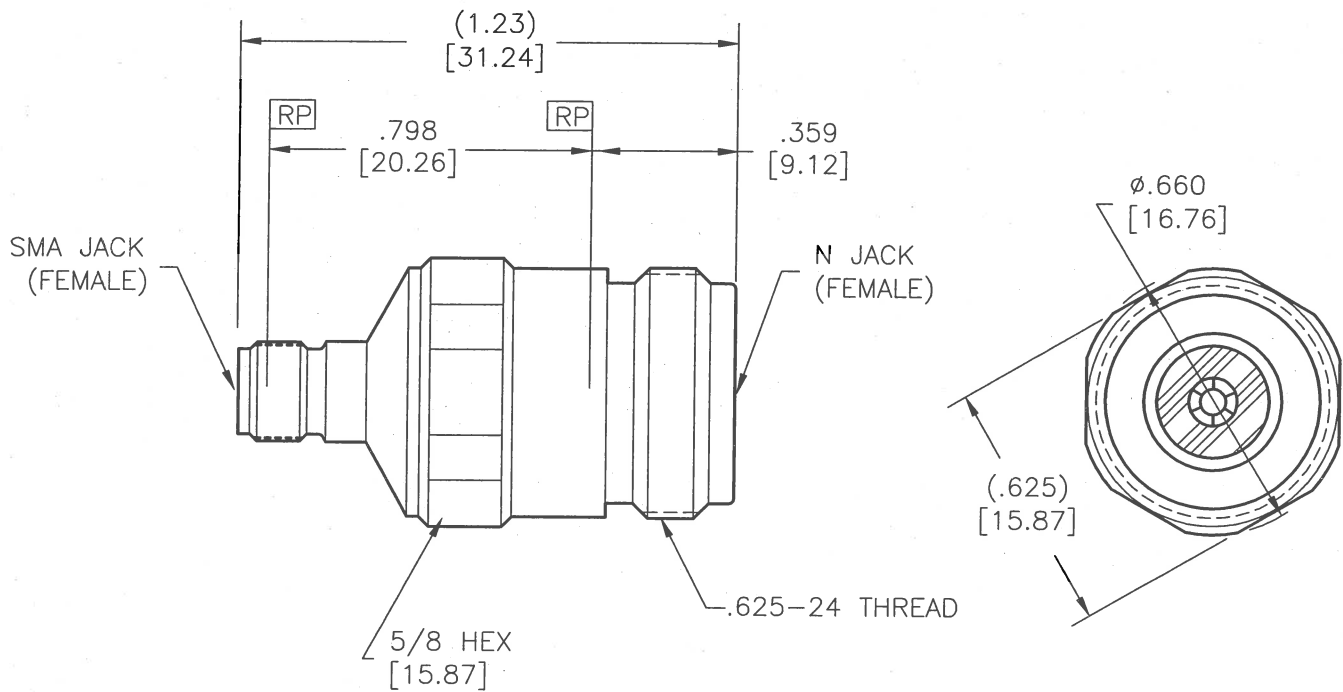


NOTE: Information herein is believed by Southwest Microwave, Inc. to be accurate. However, Southwest Microwave assumes no responsibility for any omissions or errors or inaccuracies for its use or for any infringements of patents or other rights of third parties that may result from its use. Data is intended for informational purpose only and does not constitute a contract of sale or any express or implied warranty, including any warranty of merchant ability or fitness for a particular purpose.




HOUSING:	STEEL, CRES ALLOY UNS-S30300 PER ASTM-A582. PASSIVATE PER ASTM-A967-99
CONTACT:	BeCu UNS-C17300 PER ASTM-B-196/197 GOLD PLATE PER MIL-G-45204
DIELECTRIC INSULATOR:	VIRGIN TFE FLUOROCARBON PER ASTM-D-1710 AND ASTM-D-1457
BEAD RING:	ULTEM 1000 PER ASTM-D-5205
MATERIAL & FINISH	

CONTACT GAGING SPEC. SMA SOCKET	91B52121
CONTACT GAGING SPEC. N SOCKET	91C54030
SPECIFICATIONS	91Y58687
SPECIFICATION GROUP	DRAWING NO.

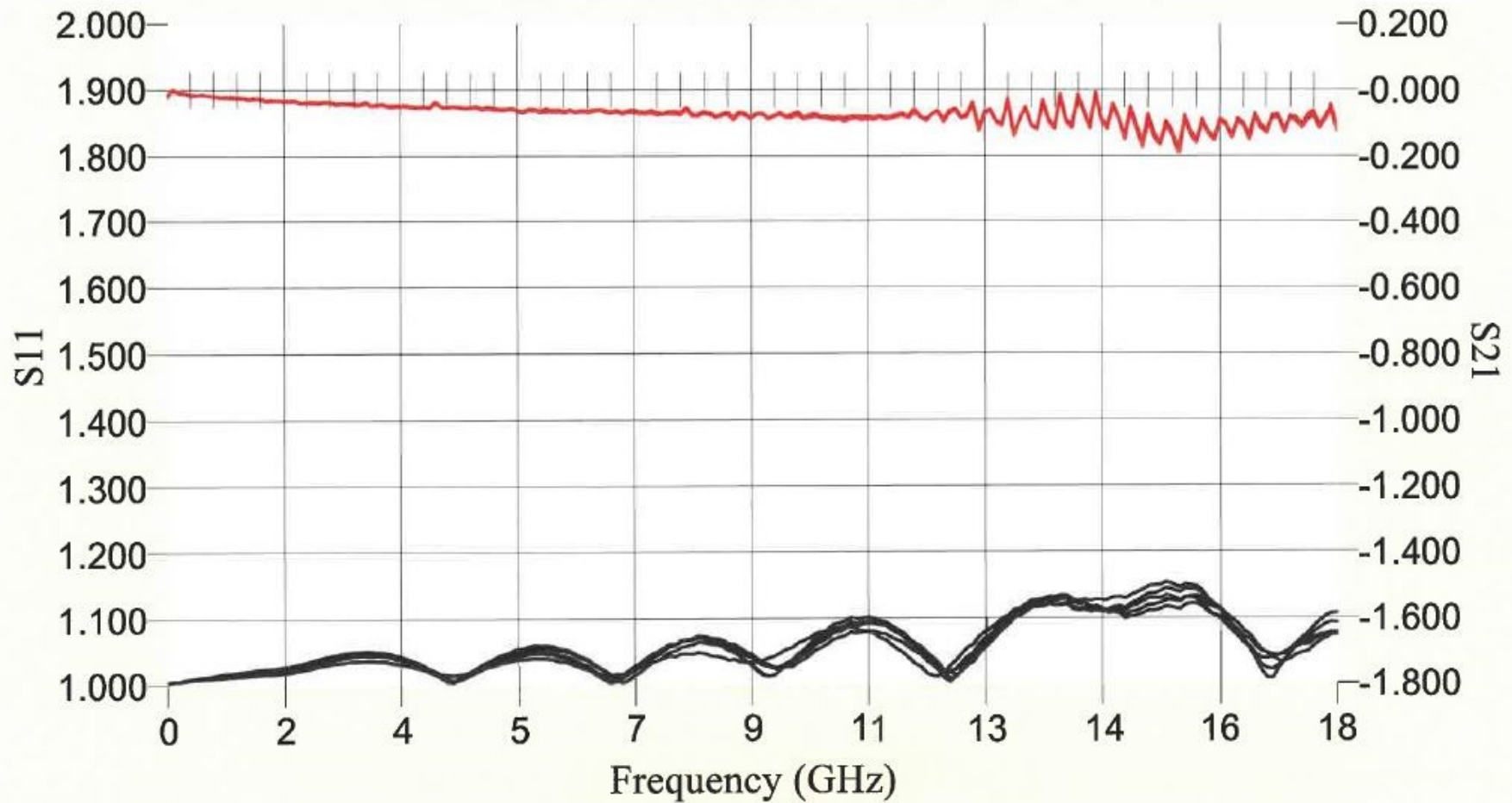
- INTERFACES I.A.W. THE REQUIREMENTS OF MIL-STD-348 FIG.s 304-2 AND 310-2.
- ALL DIMENSIONS ARE IN INCHES, ALL ANGLES ARE IN DEGREES. METRIC DIMENSIONS ARE SHOWN IN BRACKETS [XX] ARE MILLIMETERS.

NOTES: UNLESS OTHERWISE SPECIFIED

REV A	RELEASE	DATE: 2/24/06	APPROV <i>RBOAK</i>	DATE: 2/24/06	TITLE MODEL 2310SF SMA JACK TO N JACK ADAPTER
 Southwest Microwave, Inc. 9055 South McKerny Street Tempe, Arizona 85284-2946 Telephone (480) 783-0201 Fax (480) 783-0360					DRN BY: SS DATE: 6/05 SCALE: 2:1 SHEET: 1 OF 1
					DWG. NO. 79Y58870 REV. A

O.L.-A-203 REVA

Southwest Microwave, Inc.



Operator Ann Date 03-06-2020 @ 10:01:15 Model number: 2310SF QCIR:118613-000; Serial number 5

File name 5.dat Measurements,1,2,3,4,5

Notes SMA J TO N J ADP SOLT

