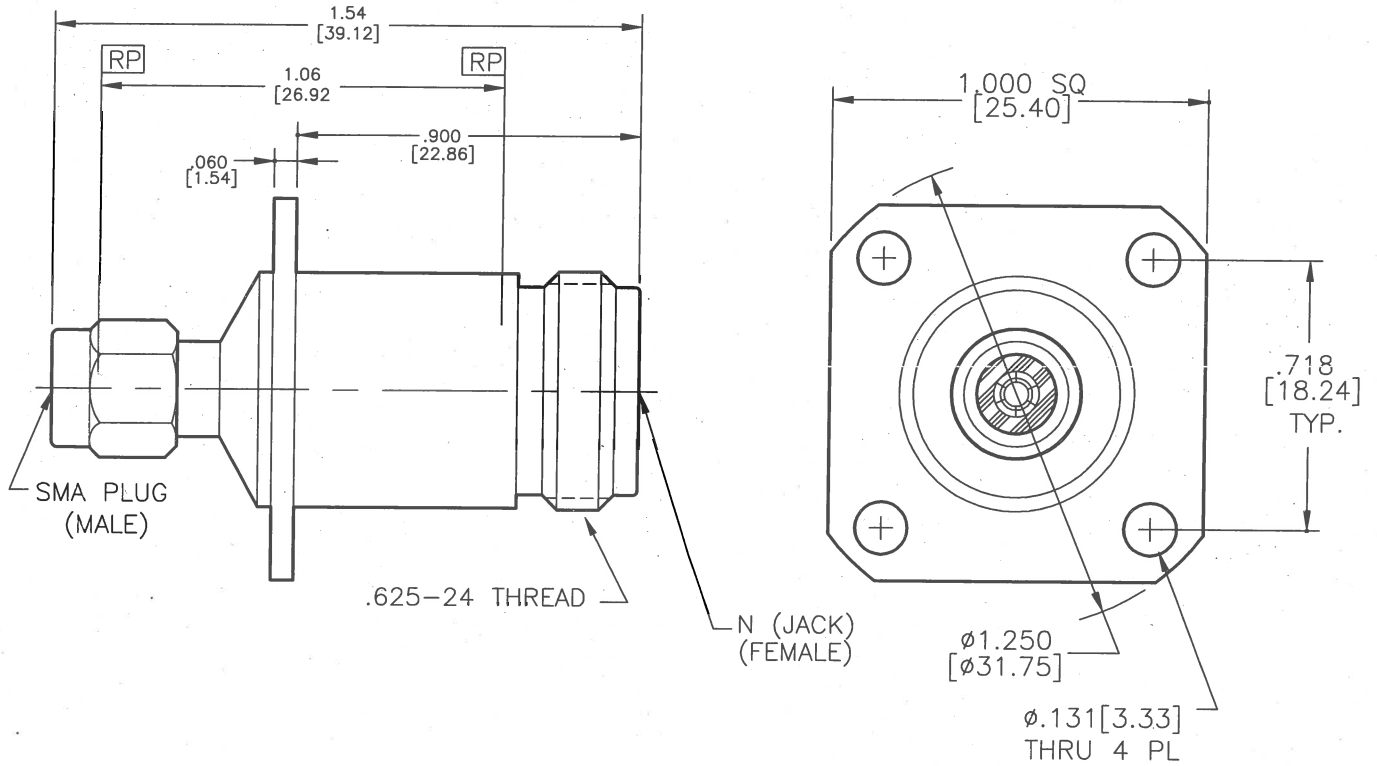



NOTE: Information herein is believed by Southwest Microwave, Inc. to be accurate. However, Southwest Microwave assumes no responsibility for any omissions or errors or inaccuracies for its use or for any infringements of patents or other rights of third parties that may result from its use. Data is intended for informational purpose only and does not constitute a contract of sale or any express or implied warranty, including any warranty of merchant ability or fitness for a particular purpose.



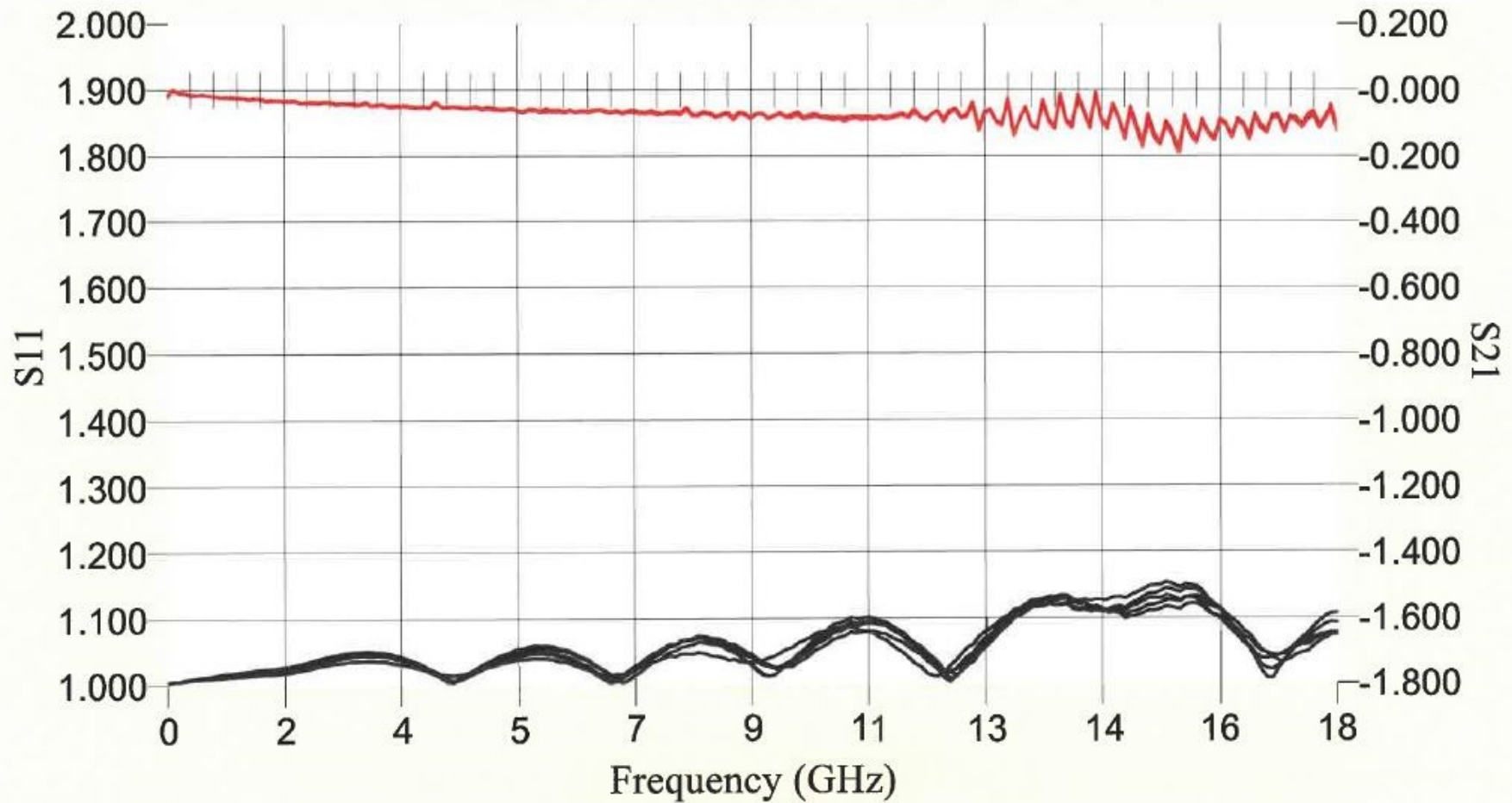
2. INTERFACE I.A.W. MIL-STD-348
1. ALL DIMENSIONS ARE IN INCHES, ALL ANGLES ARE IN DEGREES. DIMENSIONS SHOWN IN BRACKETS [XXX] ARE MILLIMETERS.
- TOLERANCES ARE BASED UPON DIMENSIONS IN INCHES. METRIC DIMENSIONS ARE FOR "REFERENCE ONLY".

HOUSING: COUPLING NUT:	STEEL, CRES ALLOY UNS-S30300 PER ASTM-A582. PASSIVATE PER ASTM-A967-99
CONTACT:	BeCu UNS-C17300 PER ASTM-B-196/197 GOLD PLATE PER MIL-G-45204
DIELECTRIC:	VIRGIN TFE FLUOROCARBON PER ASTM-D-1710 AND ASTM-D-1457
BEAD RING:	ULTEM 1000 PER ASTM-D-5205
RETAINING RING:	BeCu UNS-C17300 PER ASTM-B-196/197
GASKET:	SILICONE RUBBER PER ZZ-R-765
ITEM	MATERIAL & FINISH

NOTES: UNLESS OTHERWISE SPECIFIED

REV A	RELEASE	DATE: 9/12/06	APRVD. <i>SS</i>	DATE: 12/4/06	TITLE SMA PLUG TO N JACK 4 HOLE 1.0SQ FLG BULKHEAD ADAPTER
 <b>Southwest Microwave, Inc.</b> 9055 South McKemy Street Tempe, Arizona 85284-2946 Telephone (480) 783-0201 Fax (480) 783-0360					DRN BY: SS DATE: 9/06 SCALE: 4:1 SHEET: 1 OF 1
					MODEL NO. 2311SF DWG. NO. 79Y59113
					REV. A

# Southwest Microwave, Inc.



Operator Ann Date 03-06-2020 @ 10:01:15 Model number: 2310SF QCIR:118613-000; Serial number 5

File name 5.dat Measurements,1,2,3,4,5

Notes SMA J TO N J ADP SOLT