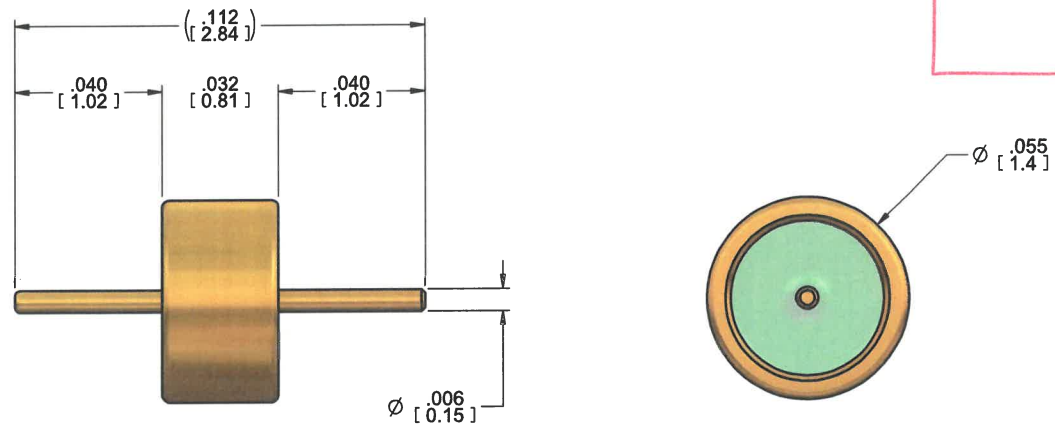


MODEL No.:


2490-02G

NOTE: Information herein is believed by Southwest Microwave, Inc. to be accurate. However, Southwest Microwave assumes no responsibility for any omissions or errors or inaccuracies for its use or for any infringements of patents or other rights of third parties that may result from its use. Data is intended for informational purpose only and does not constitute a contract of sale or any express or implied warranty, including any warranty of merchant ability or fitness for a particular purpose.

DOCUMENT CONTROL  
APR 09 2020



IMPEDANCE:	50 OHMS NOMINAL
METAL PARTS:	KOVAR
PLATING:	GOLD OVER ELECTROLESS NICKEL PER MIL-DTL-45204
GLASS PARTS:	7070
ITEM	MATERIAL & FINISH

REV A	RELEASE	APRVD. 4/8/20	DATE: DE	TITLE	2490-02G GLASS SEAL (.006) .055D .112	
 Southwest Microwave, Inc. 9055 South McKemy Street Tempe, Arizona 85284-2946 Telephone (480) 783-0201 Fax (480) 783-0360				DRN BY: JAC	DATE: 03/31/20	DWG. NO.
				SCALE: 4:1	79W69129	
				SHEET: 1 OF 1	A	

1. ALL DIMENSIONS ARE IN INCHES. ALL ANGLES ARE IN DEGREES. DIMENSIONS SHOWN IN BRACKETS [XXX] ARE IN MILLIMETERS.

NOTES: UNLESS OTHERWISE SPECIFIED.