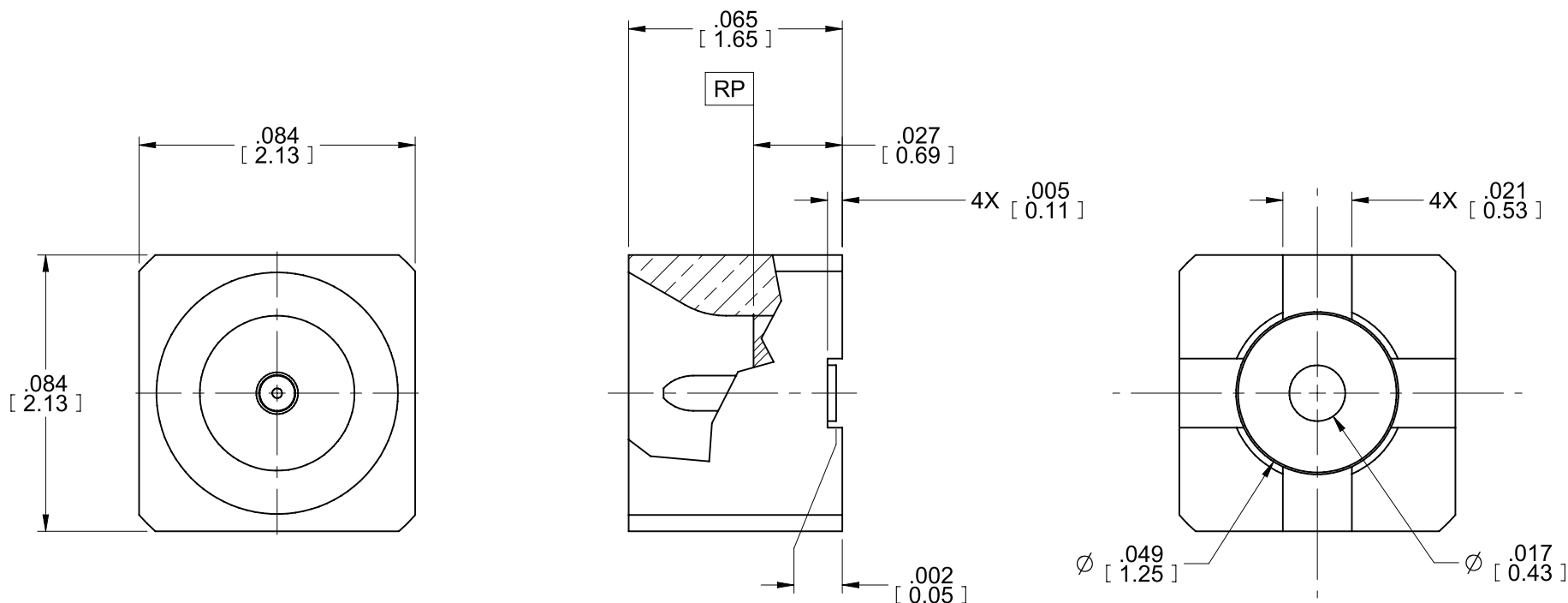


MODEL No.:

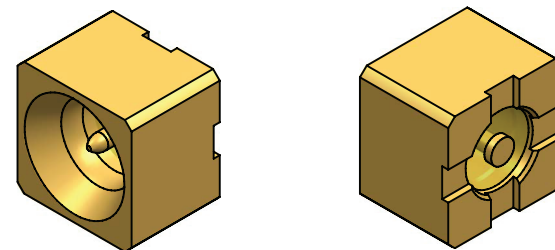
55057-011J

NOTE: Information herein is believed by Southwest Microwave, Inc. to be accurate. However, Southwest Microwave assumes no responsibility for any omissions or errors or inaccuracies for its use or for any infringements of patents or other rights of third parties that may result from its use. Data is intended for informational purpose only and does not constitute a contract of sale or any express or implied warranty, including any warranty of merchant ability or fitness for a particular purpose.



HOUSING:	BeCu UNS-C17300 PER ASTM B196/197
CONTACT:	GOLD PLATE PER MIL-DTL-45204
DIELECTRIC:	PEEK HT
ITEM	MATERIAL & FINISH

DOCUMENT CONTROL
MAR 22 2021



- PCB GROUND AND CENTER CONTACT PAD SPECIFIC CONFIGURATIONS TO BE DETERMINED BY INDIVIDUAL APPLICATION REQUIREMENTS.
 - CONNECTOR DESIGN IS COMPATIBLE WITH CURRENT MATERIAL AND PROCESS REQUIREMENTS FOR RoHS AND WEEE PER EUROPEAN COMMUNITY DIRECTIVE 2002/95/EC.
 - ALL DIMENSIONS ARE IN INCHES. ALL ANGLES ARE IN DEGREES. DIMENSIONS SHOWN IN BRACKETS [XXX] ARE IN MILLIMETERS.
- NOTES: UNLESS OTHERWISE SPECIFIED.

REV B	ECN 620	REV BY: BB	DATE: 3/22/21	APRVD. DE	DATE: 3/22/21
-------	---------	------------	---------------	-----------	---------------



Southwest Microwave, Inc.
9055 South McKemy Street
Tempe, Arizona 85284-2946
Telephone (480) 783-0201
Fax (480) 783-0360

TITLE			
SSBB20 JACK SURFACE MOUNT .084 SMOOTH BORE STRIPLINE			
DRN BY: JAC	DATE: 09/03/20	DWG. NO.	REV. B
SCALE: 20:1		79BB69316	
SHEET: 1 OF 1			