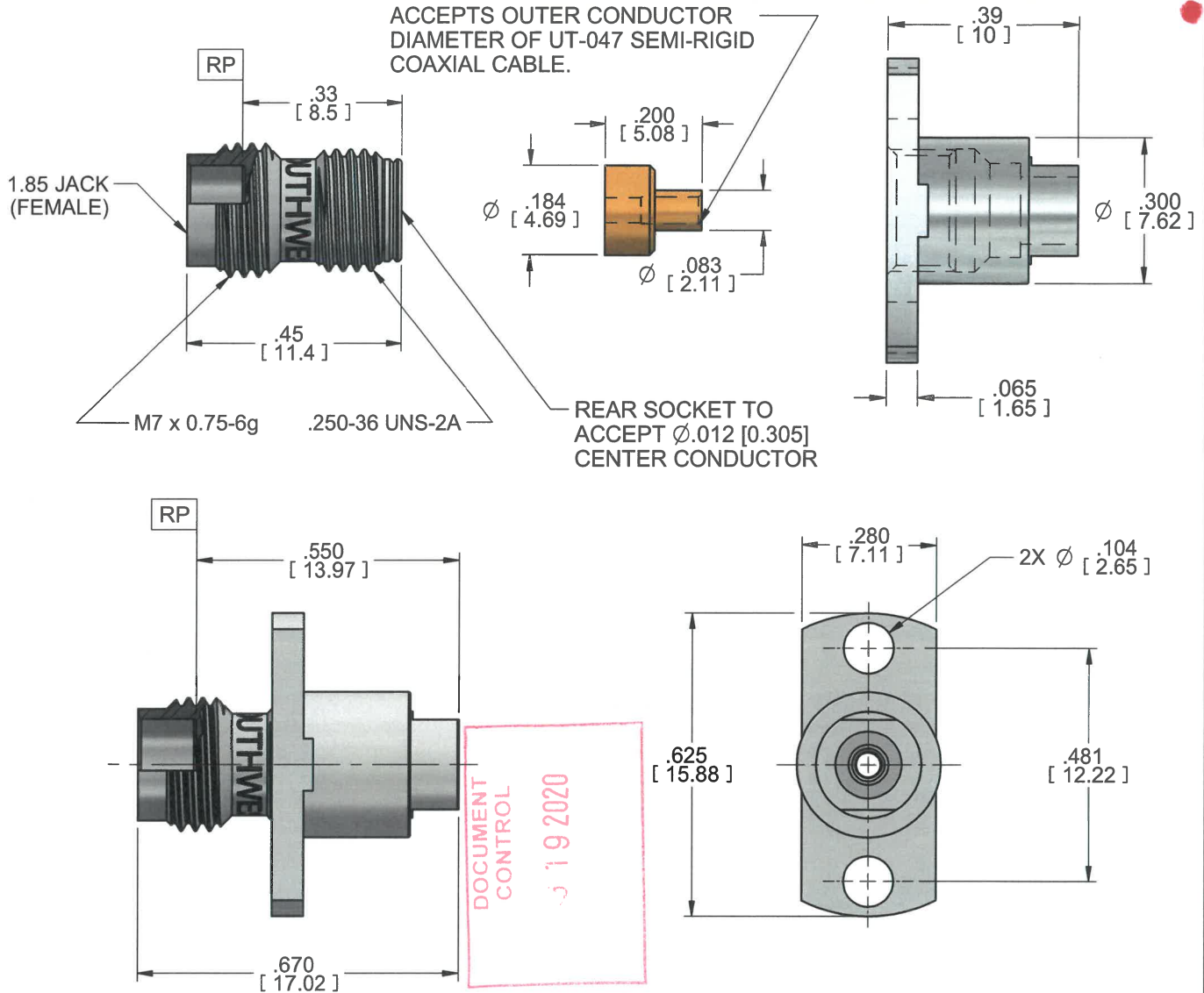


NOTE: Information herein is believed by Southwest Microwave, Inc. to be accurate. However, Southwest Microwave assumes no responsibility for any omissions or errors or inaccuracies for its use or for any infringements of patents or other rights of third parties that may result from its use. Data is intended for informational purpose only and does not constitute a contract of sale or any express or implied warranty, including any warranty of merchant ability or fitness for a particular purpose.




CABLE ASSY. INSTR.:	91S59287
CONTACT GAGING SPEC.:	91R58458
SPECIFICATION:	91R58454
INTERFACE:	91R58312
SPECIFICATION GROUP	DRAWING NO.

HOUSING:	STEEL, CRES ALLOY UNS-30300 PER ASTM A582
BUSHING:	PASSIVATE PER ASTM A967
FLG CBL NUT:	
CONTACT :	BeCu UNS-C17300 PER ASTM B196/197 GOLD PLATE PER MIL-DTL-45204
CABLE ADP:	C360 BRASS ALLOY UNS-C36000 PER ASTM B16 GOLD PLATE PER MIL-DTL-45204
DIELECTRIC:	VIRGIN PTFE FLUOROCARBON PER ASTM D1710
DIELECTRIC:	ULTEM 1000 PER ASTM D5205
ITEM	MATERIAL & FINISH

1. ALL DIMENSIONS ARE IN INCHES. ALL ANGLES ARE IN DEGREES. DIMENSIONS SHOWN IN BRACKETS [XXX] ARE IN MILLIMETERS.

NOTES: UNLESS OTHERWISE SPECIFIED.

REV A	PRODUCTION RELEASED	APRVD. DE	DATE: 8/19/20	TITLE 1.85mm JACK (F) 2 HOLE FRONT MOUNT FLANGE CABLE CONNECTOR ACCEPTS .047 SEMI-RIGID CABLE												
 <p>Southwest Microwave, Inc. 9055 South McKemy Street Tempe, Arizona 85284-2946 Telephone (480) 783-0201 Fax (480) 783-0360</p>				<table border="1"> <tr> <td>DRN BY: JAC</td> <td>DATE: 08/18/20</td> <td>MODEL NO. 1802-06SF</td> <td>REV. A</td> </tr> <tr> <td colspan="2">SCALE: 3:1</td> <td>DWG. NO. 79R68499</td> <td></td> </tr> <tr> <td colspan="2">SHEET: 1 OF 1</td> <td></td> <td></td> </tr> </table>	DRN BY: JAC	DATE: 08/18/20	MODEL NO. 1802-06SF	REV. A	SCALE: 3:1		DWG. NO. 79R68499		SHEET: 1 OF 1			
DRN BY: JAC	DATE: 08/18/20	MODEL NO. 1802-06SF	REV. A													
SCALE: 3:1		DWG. NO. 79R68499														
SHEET: 1 OF 1																