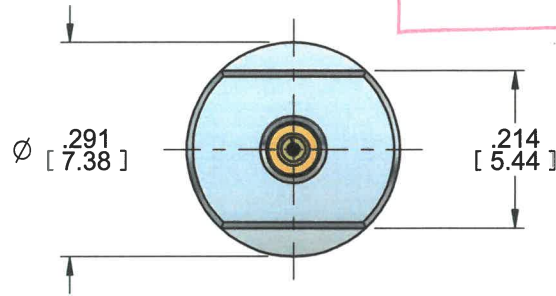
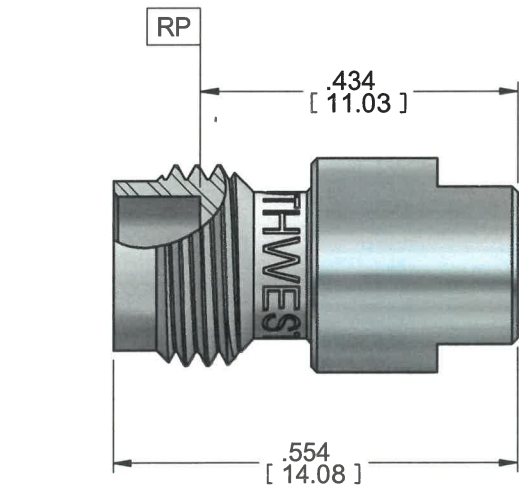
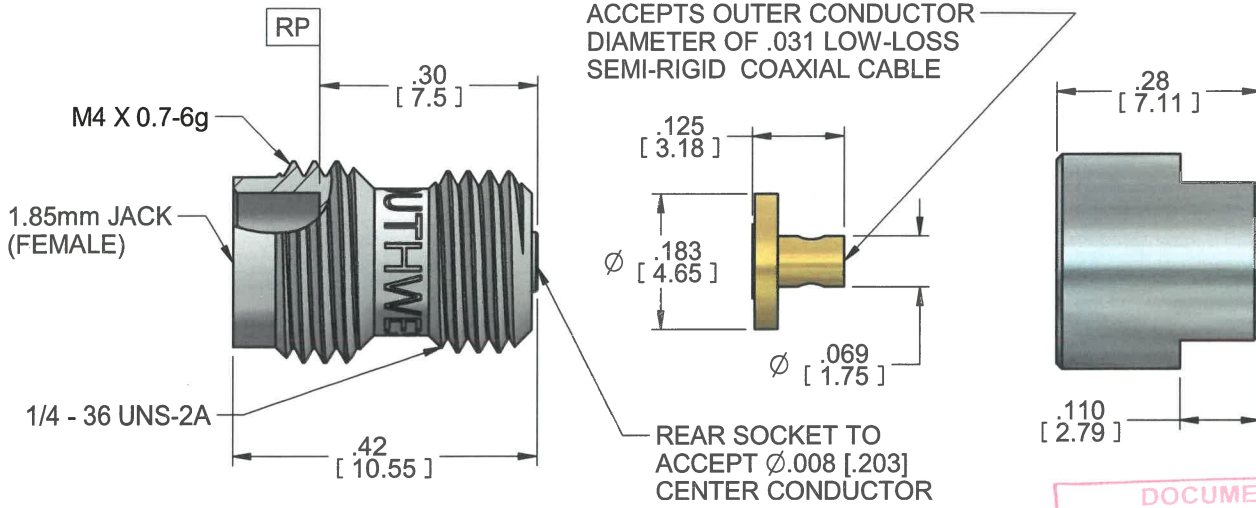


NOTE: Information herein is believed by Southwest Microwave, Inc. to be accurate. However, Southwest Microwave assumes no responsibility for any omissions or errors or inaccuracies for its use or for any infringements of patents or other rights of third parties that may result from its use. Data is intended for informational purpose only and does not constitute a contract of sale or any express or implied warranty, including any warranty of merchant ability or fitness for a particular purpose.



DOCUMENT CONTROL
OCT 02 2020

SPECIFICATIONS	91R60815
INTERFACE	91R58312
CABLE ASSY. INSTR.:	91S59287
SPECIFICATION GROUP	DRAWING NO.

HOUSING:	STEEL, CRES ALLOY UNS-30300 PER ASTM A582
CABLE NUT:	STEEL, CRES ALLOY UNS-30300 PER ASTM A582
CABLE ADP:	C360BRASS ALLOY UNS-C36000 PER ATSM B16 GOLD PLATE PER MIL-DTL-45204
CONTACT:	BeCu UNS-C17300 PER ASTM B196/197 GOLD PLATE PER ASTM B488
CAPTURE BEAD:	ULTEM 1000 PER ASTM D5205
ITEM	MATERIAL & FINISH

2. INTERFACE I.A.W. MIL-STD-348
 1. ALL DIMENSIONS ARE IN INCHES. ALL ANGLES ARE IN DEGREES. DIMENSIONS SHOWN IN BRACKETS [XXX] ARE IN MILLIMETERS.
 NOTES: UNLESS OTHERWISE SPECIFIED.

REV A	PRODUCTION RELEASE	APRVD. <i>DE</i>	DATE: 9/30/20	TITLE 1.85mm J (.008) 031SC CABLE CONNECTOR			
<div style="display: inline-block; vertical-align: middle;"> <p>Southwest Microwave, Inc. 9055 South McKemy Street Tempe, Arizona 85284-2946 Telephone (480) 783-0201 Fax (480) 783-0360</p> </div>				DRN BY: DD	DATE: 09/28/20	MODEL NO.	REV.
				SCALE: 4:1		1802-07SF	A
				SHEET: 1 OF 1		DWG. NO. 79R69417	

MPD-A-0.L. 3x