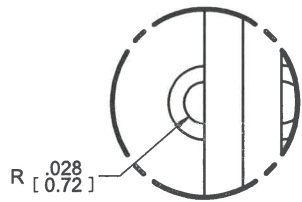


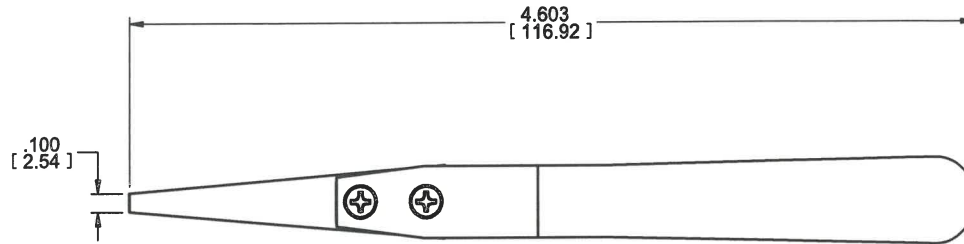
MODEL No.:

T-54033-1

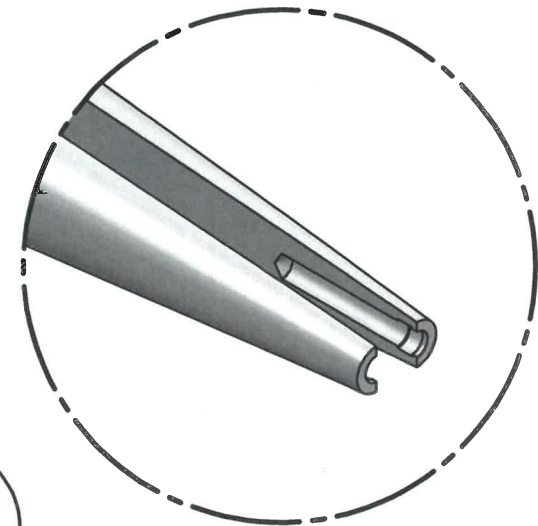
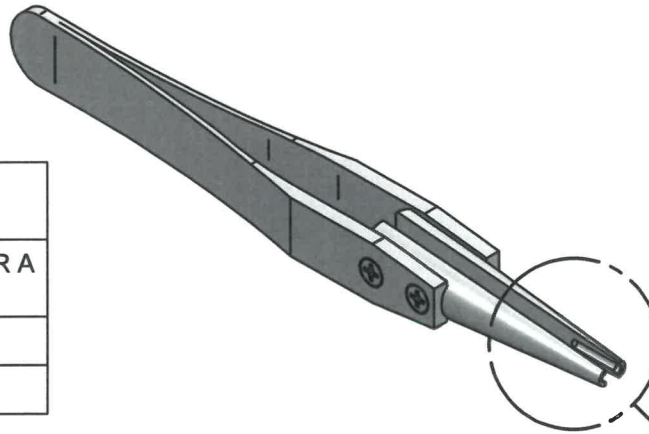
NOTE: Information herein is believed by Southwest Microwave, Inc. to be accurate. However, Southwest Microwave assumes no responsibility for any omissions or errors or inaccuracies for its use or for any infringements of patents or other rights of third parties that may result from its use. Data is intended for informational purpose only and does not constitute a contract of sale or any express or implied warranty, including any warranty of merchant ability or fitness for a particular purpose.



DETAIL A



DOCUMENT CONTROL
OCT 29 2020




DETAIL B

TWEEZER HANDLE:	STEEL, AISI 316L
TWEEZER TIPS:	STEEL, ALLOY UNS S17400, TEMPER A PER ASTM 564
SCREWS:	STEEL, UNS S30400
ITEM	MATERIAL & FINISH

1. ALL DIMENSIONS ARE IN INCHES. ALL ANGLES ARE IN DEGREES. DIMENSIONS SHOWN IN BRACKETS [XXX] ARE IN MILLIMETERS.

NOTES: UNLESS OTHERWISE SPECIFIED.

REV A	PRODUCTION RELEASE	APPRD. JAC	DATE: 10/28/20	TITLE T-54033-1 TOOL, INSTL/REML SSB BULLET
 Southwest Microwave, Inc. 9055 South McKemy Street Tempe, Arizona 85284-2946 Telephone (480) 783-0201 Fax (480) 783-0360		DRN BY: JAC	DATE: 10/28/20	DWG. NO. 79BB63462
		SCALE: 1:1	REV. A	
SHEET: 1 OF 1				