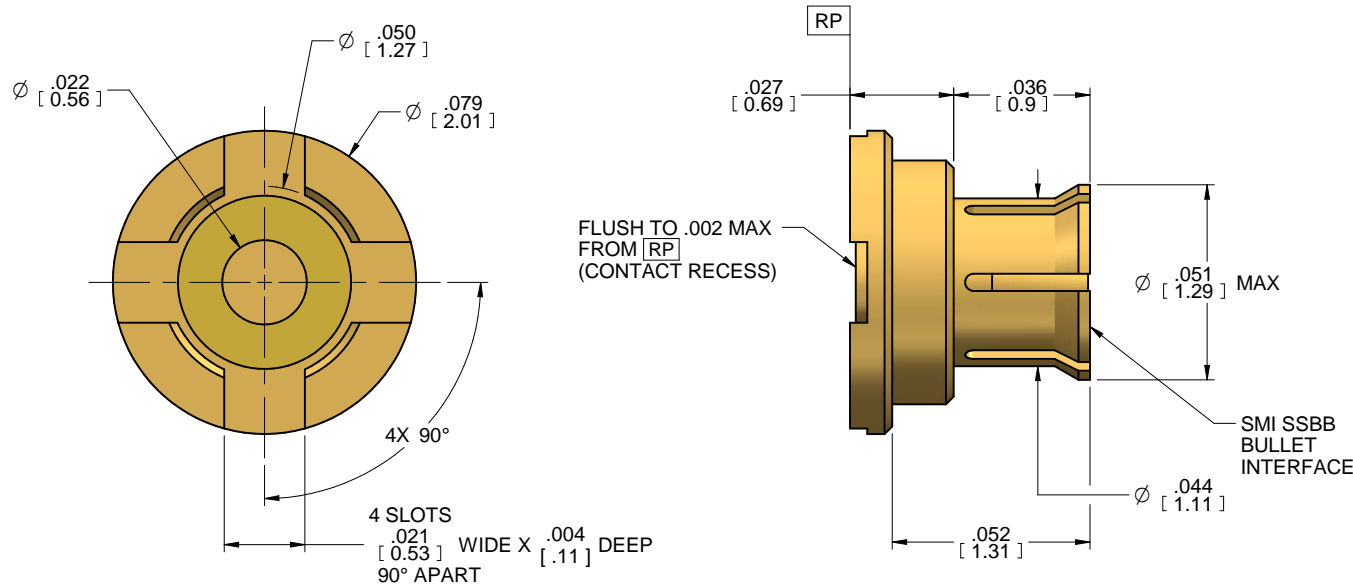


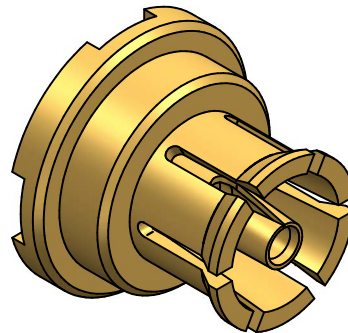
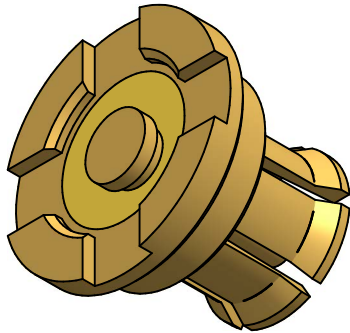
MODEL No.:

54053-002B

NOTE: Information herein is believed by Southwest Microwave, Inc. to be accurate. However, Southwest Microwave assumes no responsibility for any omissions or errors or inaccuracies for its use or for any infringements of patents or other rights of third parties that may result from its use. Data is intended for informational purpose only and does not constitute a contract of sale or any express or implied warranty, including any warranty of merchant ability or fitness for a particular purpose.




**DOCUMENT  
CONTROL  
JUN 01 2022**



HOUSING:	BeCu UNS-C17300 PER ASTM B196/197 GOLD PLATE PER MIL-DTL-45204
CONTACT:	BeCu UNS-C17300 PER ASTM B197 GOLD PLATE PER MIL-DTL-45204
DIELECTRIC:	PEEK HT
ITEM	MATERIAL & FINISH

3. PCB GROUND PLANE AND CENTER CONTACT PAD SPECIFIC CONFIGURATIONS TO BE DETERMINED BY INDIVIDUAL APPLICATION REQUIREMENTS.
  2. CONNECTOR DESIGN IS COMPATIBLE WITH CURRENT MATERIAL AND PROCESS REQUIREMENTS FOR RoHS AND WEEE PER EUROPEAN COMMUNITY DIRECTIVE 2002/95/EC.
  1. ALL DIMENSIONS ARE IN INCHES. ALL ANGLES ARE IN DEGREES. DIMENSIONS SHOWN IN BRACKETS [XXX] ARE IN MILLIMETERS.
- NOTES: UNLESS OTHERWISE SPECIFIED.

REV. A	RELEASE	APRVD: DE	DATE: 05/23/22	TITLE SSBB, JACK, SURFACE MOUNT, BULLET, UNIVERSAL			
 SOUTHWEST MICROWAVE		Southwest Microwave, Inc. 9055 South McKemy Street Tempe, Arizona 85284-2946 Telephone (480) 783-0201 Fax (480) 783-0360		DRN BY: MGD	DATE: 10/08/18	MODEL NO. 54053-002B	REV. A
				SCALE: 20:1	DWG. NO. 79BB68603		
				SHEET: 1 OF 1			