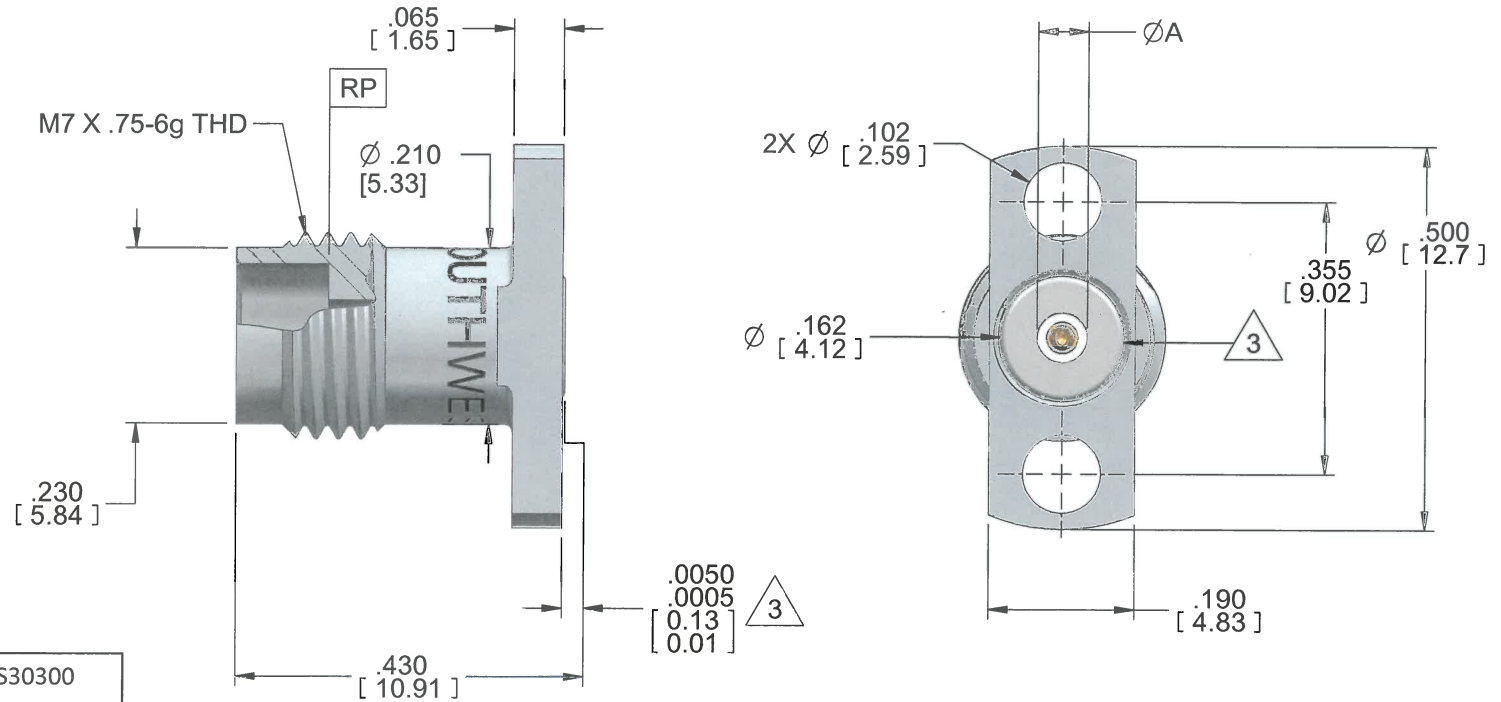


DWG No.:

91P60866

NOTE: Information herein is believed by Southwest Microwave, Inc. to be accurate. However, Southwest Microwave assumes no responsibility for any omissions or errors or inaccuracies for its use or for any infringements of patents or other rights of third parties that may result from its use. Data is intended for informational purpose only and does not constitute a contract of sale or any express or implied warranty, including any warranty of merchant ability or fitness for a particular purpose.



HOUSING:	STEEL, CRES ALLOY UNS-S30300 PER ASTM A582 PASSIVATED PER ASTM A967-99
CONTACT:	BeCu UNS-C17300 PER ASTM B196 GOLD PLATE PER ASTM B488
BEAD:	KEL-F (PCTFE) PER ASTM D1430
CAPTURE BEAD:	ULTEM 1000 PER ASTM D5205
ITEM	MATERIAL & FINISH

Model	Pin Size	Max. Pin Depth	Ø A
1414-04SF	.020	.065	.0651
1414-03SF	.012	.085	.0483
1414-06SF	.009	.065	.0421

3. 360° RAISED METAL GROUNDING RING.  
 2. SEE DOCUMENT NO. 91P60874 FOR PRODUCT SPECIFICATIONS.  
 1. ALL DIMENSIONS ARE IN INCHES. ALL ANGLES ARE IN DEGREES. DIMENSIONS SHOWN IN BRACKETS [XXX] ARE IN MILLIMETERS.  
 NOTES: UNLESS OTHERWISE SPECIFIED.

REV B	ECN: 9553	INIT: CSK	DATE: 10/25/16	APRVD: SW	DATE: 10/26/16
----------	--------------	--------------	-------------------	--------------	-------------------



Southwest Microwave, Inc.  
 9055 South McKemy Street  
 Tempe, Arizona 85284-2946  
 Telephone (480) 783-0201  
 Fax (480) 783-0360

TITLE 2.40 Jack (Female) .500" Long Flange			REV. B
DRN BY: EAG	DATE: 7/13/12	DWG. NO. 91P60866	
SHEET: 1 OF 1			