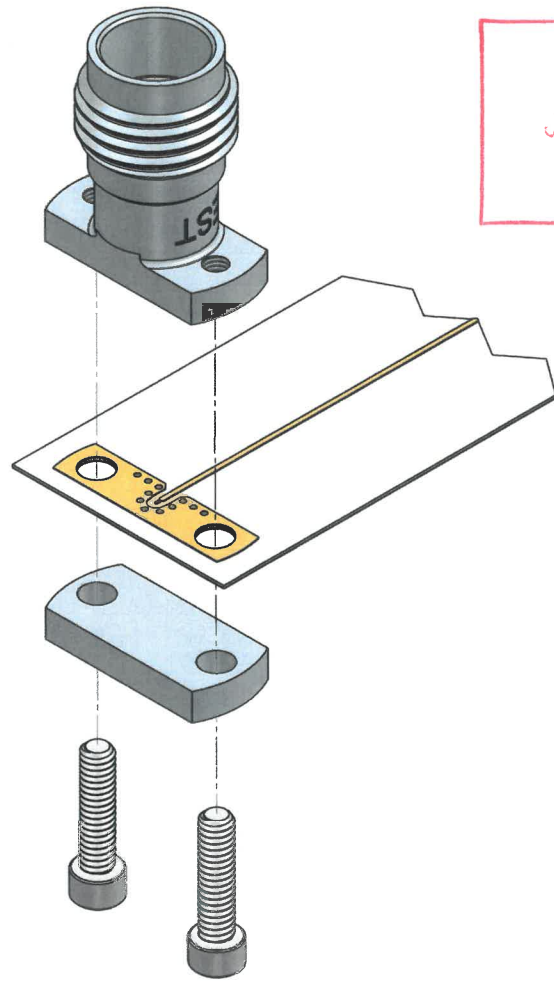


MODEL No.:

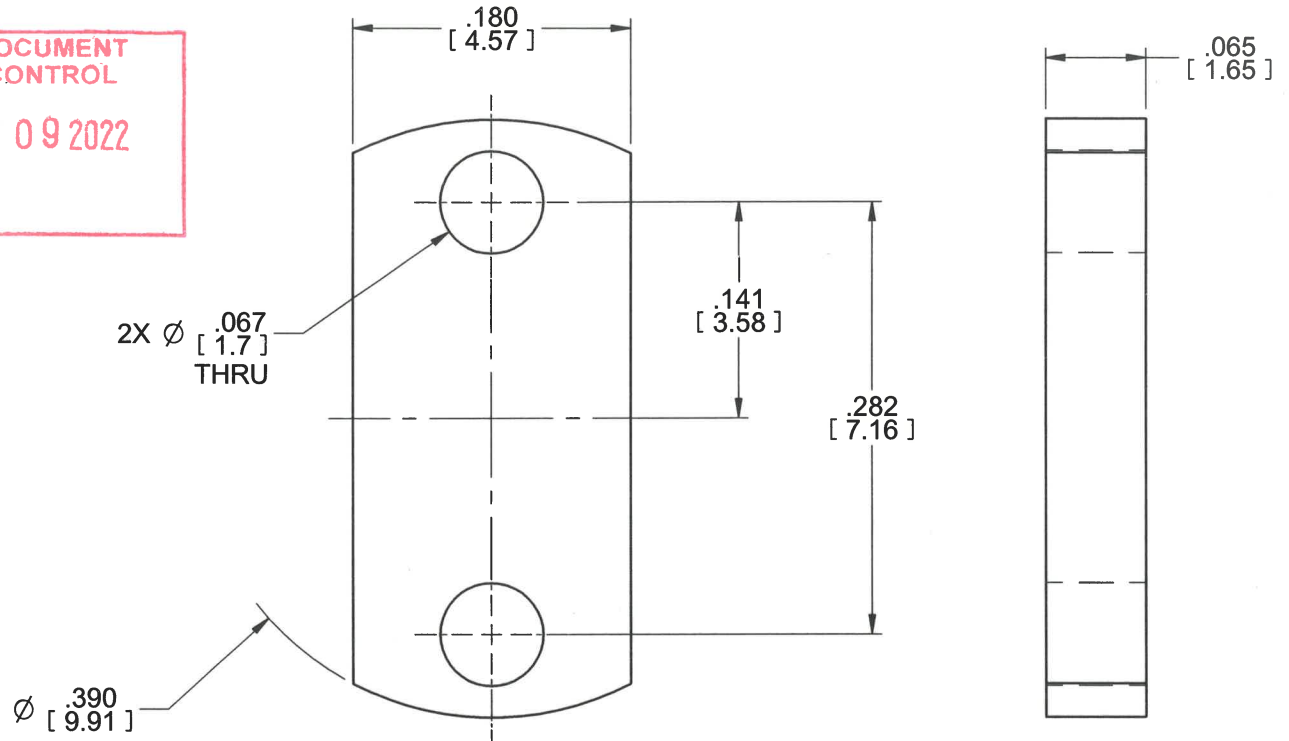
290-127SF

NOTE: Information herein is believed by Southwest Microwave, Inc. to be accurate. However, Southwest Microwave assumes no responsibility for any omissions or errors or inaccuracies for its use or for any infringements of patents or other rights of third parties that may result from its use. Data is intended for informational purpose only and does not constitute a contract of sale or any express or implied warranty, including any warranty of merchant ability or fitness for a particular purpose.

DOCUMENT CONTROL
JUN 09 2022




APPLICATION DETAIL



VERTICAL LAUNCH COMPRESSION MOUNT PLATE:	STEEL, CRES ALLOY UNS-30300 PER ASTM A582 PASSIVATED PER ASTM A967
ITEM	MATERIAL & FINISH

1. ALL DIMENSIONS ARE IN INCHES. ALL ANGLES ARE IN DEGREES. DIMENSIONS SHOWN IN BRACKETS [XXX] ARE IN MILLIMETERS.

NOTES: UNLESS OTHERWISE SPECIFIED.

REV A	RELEASE	APRVD. DE	DATE: 6/7/22	TITLE VERTICAL LAUNCH COMPRESSION MOUNT PLATE		
 <p>SOUTHWEST MICROWAVE</p>		<p>Southwest Microwave, Inc. 9055 South McKemy Street Tempe, Arizona 85284-2946 Telephone (480) 783-0201 Fax (480) 783-0360</p>		DRN BY: JAC	DATE: 06/07/22	DWG. NO. 79Y69880
				SCALE: N/A		REV. A
				SHEET: 1 OF 1		