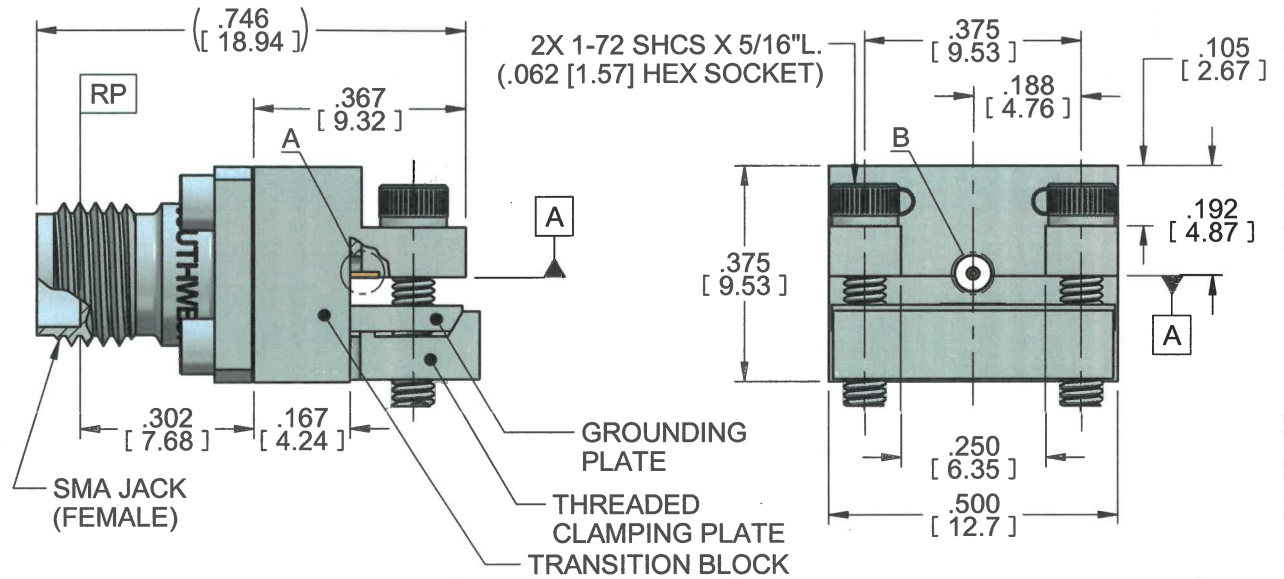
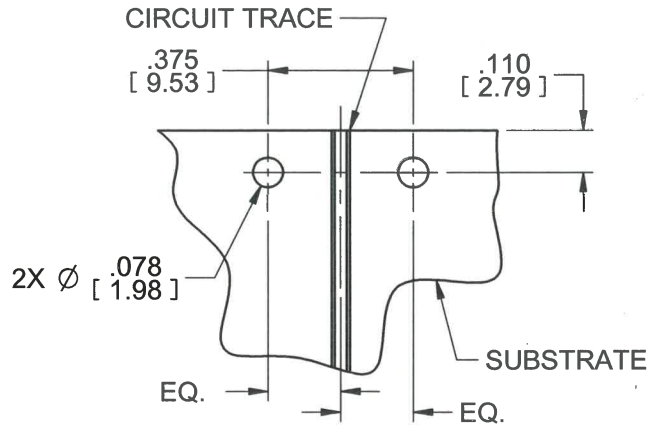


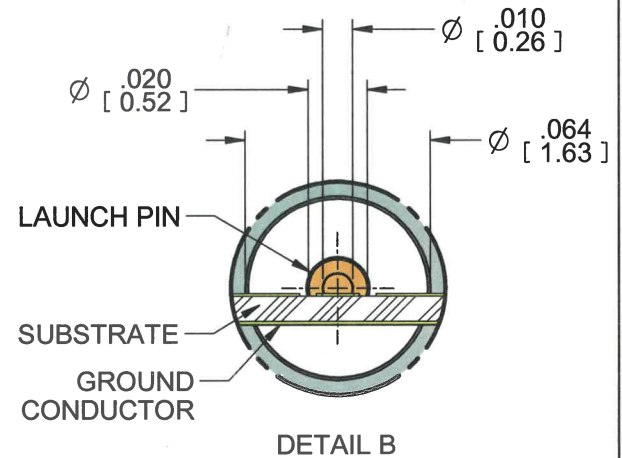
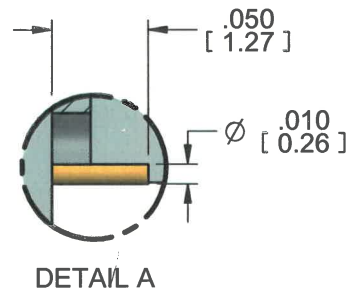
NOTE: Information herein is believed by Southwest Microwave, Inc. to be accurate. However, Southwest Microwave assumes no responsibility for any omissions or errors or inaccuracies for its use or for any infringements of patents or other rights of third parties that may result from its use. Data is intended for informational purpose only and does not constitute a contract of sale or any express or implied warranty, including any warranty of merchant ability or fitness for a particular purpose.



HOUSING:	C360 BRASS ALLOY, UNS-C36000 PER ASTM B16 ALBALOY PLATE (COPPER/TIN/ZINC)
CONTACT:	BeCu UNS-C17300 PER ASTM B196 ALBALOY PLATE (COPPER/TIN/ZINC)
BEAD:	KEL-F (PCTFE) PER ASTM D1430
CAPTURE BEAD:	ULTEM 1000 PER ASTM D5205
ITEM	MATERIAL & FINISH
<b>SMA CONNECTOR</b>	

TRANSITION BLOCK, GROUNDING PLATE, THREADED CLAMPING PLATE	C360 BRASS ALLOY UNS-C36000 PER ASTM B16. ALBALOY PLATE (COPPER/TIN/ZINC)
LAUNCH PIN:	BeCu UNS-C17300 PER ASTM B196 ALBALOY PLATE (COPPER/TIN/ZINC)
TRANSITION BLOCK DIELECTRIC:	VIRGIN PTFE FLUOROCARBON PER ASTM D1710, TYPE 1 GRADE 1, CLASS B
FASTENERS:	TITANIUM GRADE 5
ITEM	MATERIAL & FINISH
<b>TRANSITION BLOCK</b>	

DOCUMENT CONTROL  
DEC 21 2020



REV A	PRODUCTION RELEASE	APRVD. DE	DATE: 12/21/20
-------	--------------------	-----------	----------------



Southwest Microwave, Inc.  
9055 South McKemy Street  
Tempe, Arizona 85284-2946  
Telephone (480) 783-0201  
Fax (480) 783-0360

TITLE		SMA JACK (FEMALE) END LAUNCH CONNECTOR LOW PROFILE	
DRN BY: JAC	DATE: 12/17/20	DWG. NO.	REV.
SHEET: 1 OF 1		79Y63671	A

1. ALL DIMENSIONS ARE IN INCHES. ALL ANGLES ARE IN DEGREES. DIMENSIONS SHOWN IN BRACKETS [XXX] ARE IN MILLIMETERS.  
NOTES: UNLESS OTHERWISE SPECIFIED.