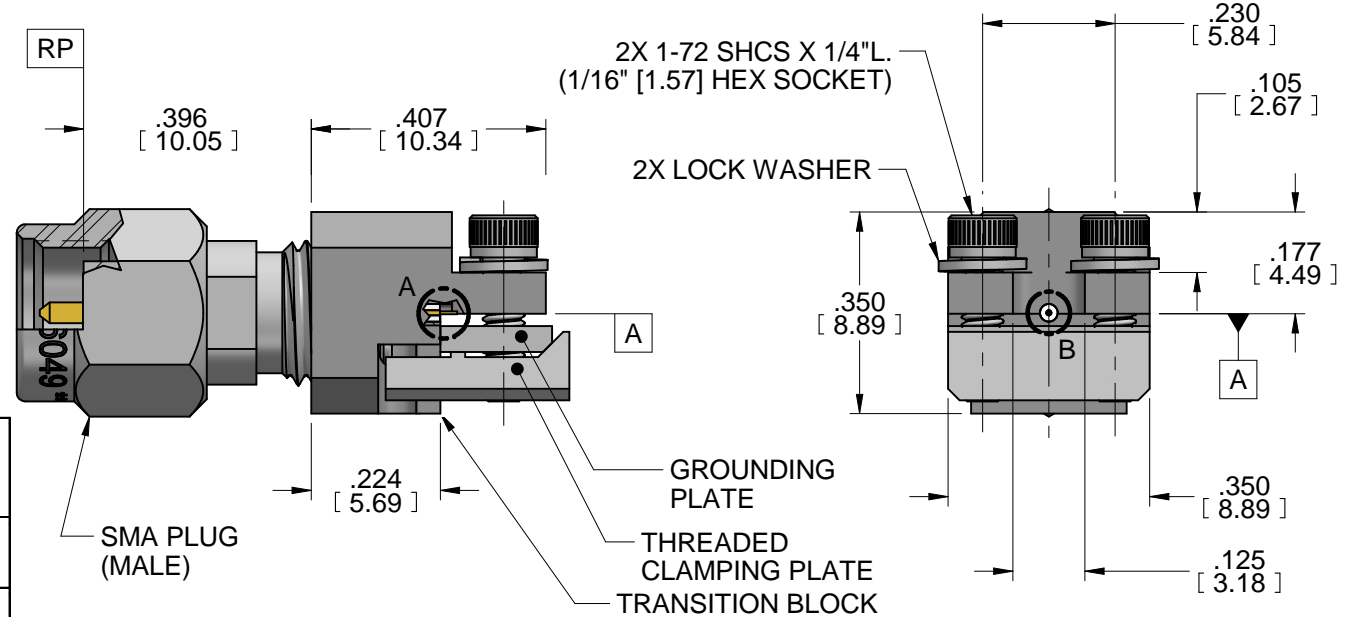
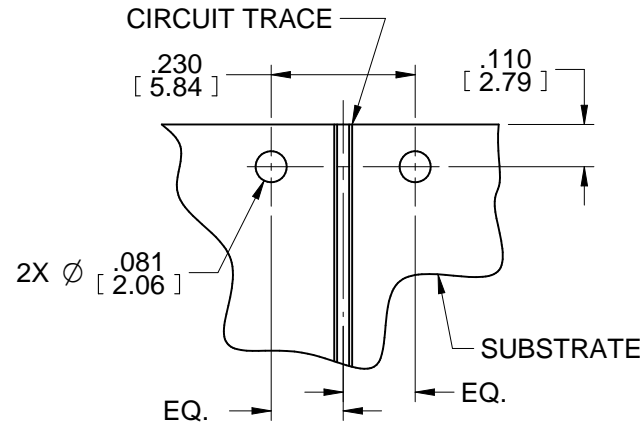


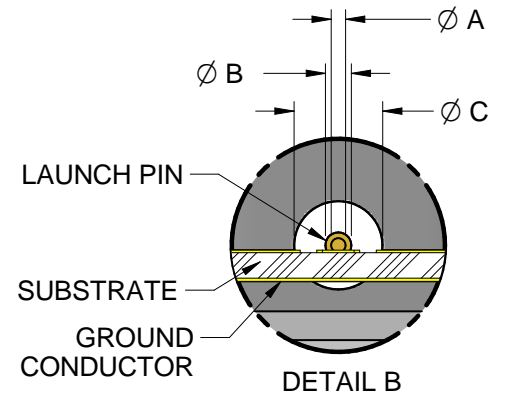
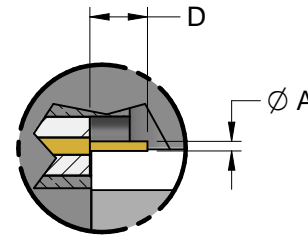
MODEL No:

**293-0XA-9**

NOTE: Information herein is believed by Southwest Microwave, Inc. to be accurate. However, Southwest Microwave assumes no responsibility for any omissions or errors or inaccuracies for its use or for any infringements of patents or other rights of third parties that may result from its use. Data is intended for informational purpose only and does not constitute a contract of sale or any express or implied warranty, including any warranty of merchant ability or fitness for a particular purpose.



**DOCUMENT CONTROL**  
**JUL 25 2023**



Model	$\varnothing A$	$\varnothing B$	$\varnothing C$	D
293-01A-9	.010	.020	.0635	.050
293-03A-9	.007	.012	.0390	.030
293-04A-9	.005	.009	.0290	.030

HOUSING & COUPLING NUT:	STEEL, CRES ALLOY UNS 30300 PER ASTM A582 PASSIVATED PER ASTM A967
CONTACT:	BeCu UNS C17300 PER ASTM B196 GOLD PLATE PER ASTM B488
DIELECTRIC:	VIRGIN PTFE FLUOROCARBON PER ASTM D1710 TYPE 1, GRADE 1, CLASS B
CAPTURE BEAD:	ULTEM 1000 PER ASTM D5205
RETAINING RING:	BeCu UNS-C17200 PER ASTM B194 OR ASTM B197
GASKET:	SILICONE RUBBER PER ZZ-R-765
ITEM	MATERIAL & FINISH
<b>SMA CONNECTOR</b>	

TRANSITION BLOCK, GROUNDING PLATE, THREADED CLAMPING PLATE:	C360 BRASS ALLOY UNS C36000 PER ASTM B16. NICKEL PLATE PER AMS 2404
LAUNCH PIN:	BeCu UNS C17300 PER ASTM B196 GOLD PLATE PER MIL-DTL-45204
TRANSITION BLOCK DIELECTRIC:	VIRGIN PTFE FLUOROCARBON PER ASTM D1710, TYPE 1 GRADE 1, CLASS B
ITEM	MATERIAL & FINISH
<b>TRANSITION BLOCK</b>	

1. ALL DIMENSIONS ARE IN INCHES. ALL ANGLES ARE IN DEGREES. DIMENSIONS SHOWN IN BRACKETS [XXX] ARE IN MILLIMETERS.

NOTES: UNLESS OTHERWISE SPECIFIED.

REV	RELEASE	APRVD. DE	DATE:	TITLE	DRN BY:	DATE:	DWG. NO.	REV.
A			07/24/23	<b>SMA PLUG (MALE) END LAUNCH CONNECTOR THD-IN SS</b>	JAC	07/21/23	<b>91Y70188</b>	A
					SHEET: 1 OF 1			



Southwest Microwave, Inc.  
9055 South McKemy Street  
Tempe, Arizona 85284-2946  
Telephone (480) 783-0201  
Fax (480) 783-0360