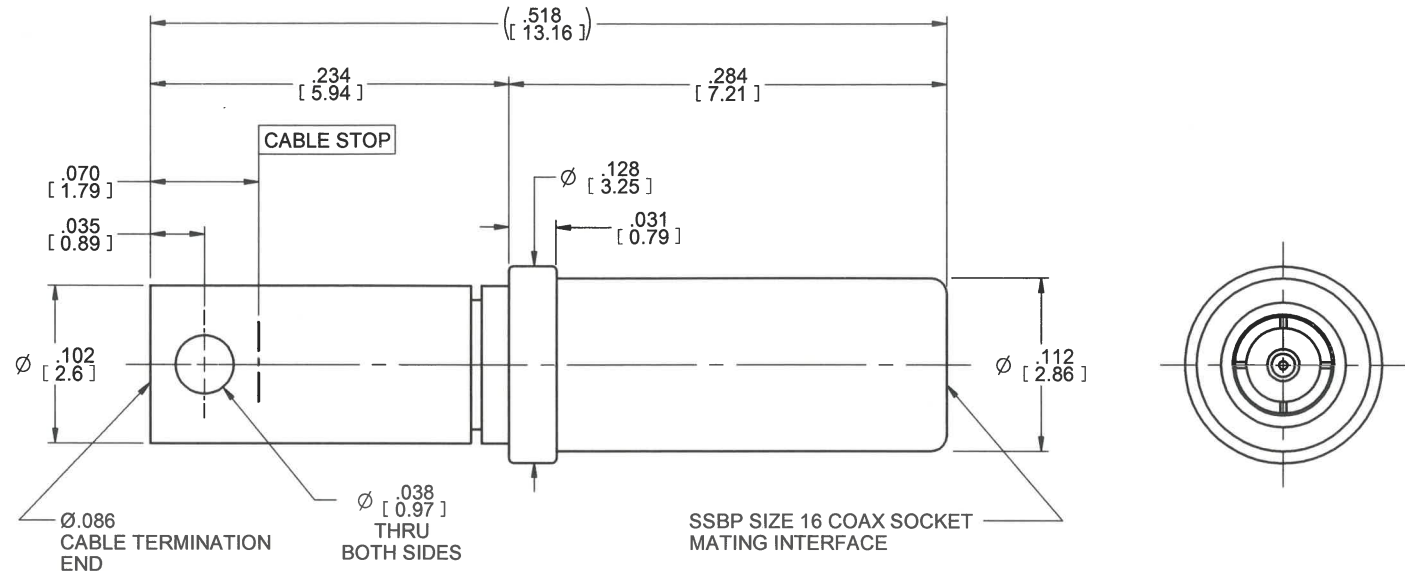


MODEL No.:

51201-001S

NOTE: Information herein is believed by Southwest Microwave, Inc. to be accurate. However, Southwest Microwave assumes no responsibility for any omissions or errors or inaccuracies for its use or for any infringements of patents or other rights of third parties that may result from its use. Data is intended for informational purpose only and does not constitute a contract of sale or any express or implied warranty, including any warranty of merchant ability or fitness for a particular purpose.



3. MATERIAL AND FINISH:

3.1 MATERIALS

OUTER/CENTER CONTACTS AND CABLE BUSHING:

BeCu ALLOY UNS-C17300 PER ASTM B196/197

FRONT BEAD RING:

VIRGIN PTFE FLUOROCARBON PER ASTM D1710, TYPE 1, GRADE 1, CLASS B

REAR BEAD RING:

ULTEM 1000 PER ASTM D5205

SPRING:

STAINLESS STEEL, 304V HYTEN PER ASTM A313 (CHEM ONLY)

SLEEVE:

STAINLESS STEEL, UNS S30300 PER ASTM A582

3.2 FINISHES

OUTER/CENTER CONTACT AND CABLE BUSHING: GOLD PLATE PER MIL-DTL-45204

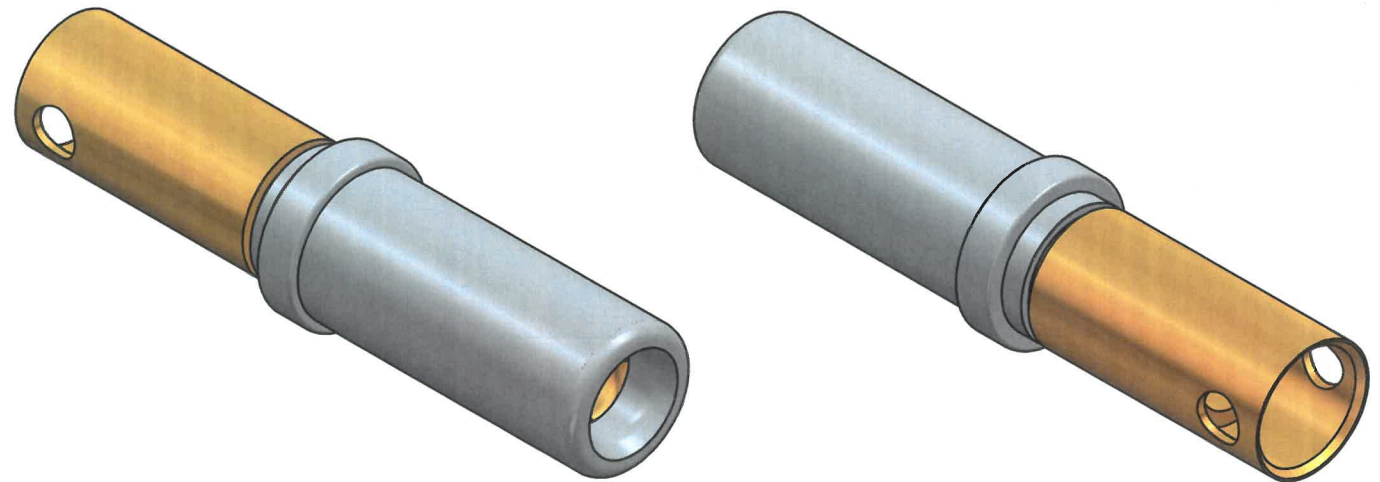
SLEEVE:


PASSIVATE PER ASTM A967

2. CONNECTOR DESIGN IS COMPATIBLE WITH CURRENT MATERIAL AND PROCESS REQUIREMENTS FOR RoHS III AND WEEE PER EUROPEAN COMMUNITY DIRECTIVE 2002/95/EC.

1. ALL DIMENSIONS ARE IN INCHES. ALL ANGLES ARE IN DEGREES. DIMENSIONS SHOWN IN BRACKETS [XXX] ARE IN MILLIMETERS.

NOTES: UNLESS OTHERWISE SPECIFIED.



REV A	RELEASE	APRVD. <i>DE</i>	DATE: 10/18/23	TITLE 51201-001S SSBP SIZE 16 SOCKET SERIES II Ø.086 DIRECT SOLDER CONNECTOR, SERIES 80 MIGHTY MOUSE COMPATIBLE	
 <b>SOUTHWEST MICROWAVE</b>		Southwest Microwave, Inc. 9055 South McKemy Street Tempe, Arizona 85284-2946 Telephone (480) 783-0201 Fax (480) 783-0360		DRN BY: ARV	DATE: 03/08/23
		DWG. NO. <b>79BP70082</b>		SCALE: 4:1	REV. A
SHEET: 1 OF 1					