

THE PERFORMANCE LEADER IN MICROWAVE CONNECTORS



0.8 mm (145 GHz)



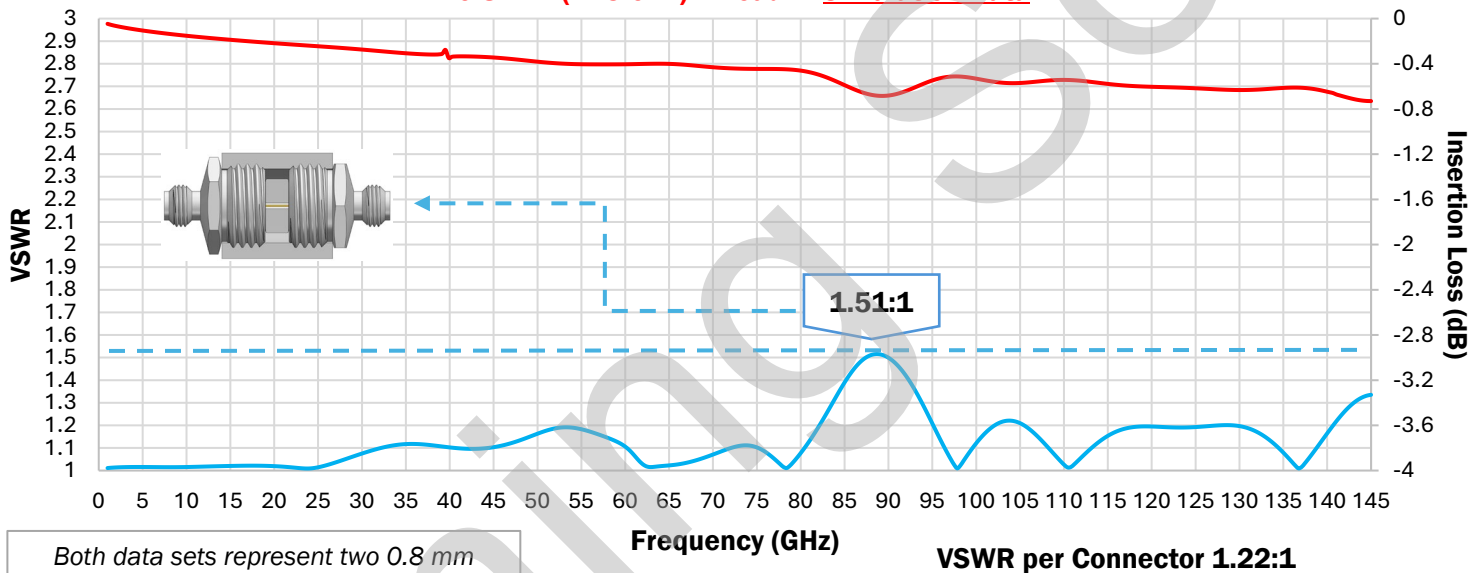
Introducing Southwest Microwave's newest high-performance connector. The 0.8 mm is an innovative and advanced thread-in connector that maintains optimal signal integrity while providing the industry's lowest VSWR, RF leakage and insertion loss.

FEATURES

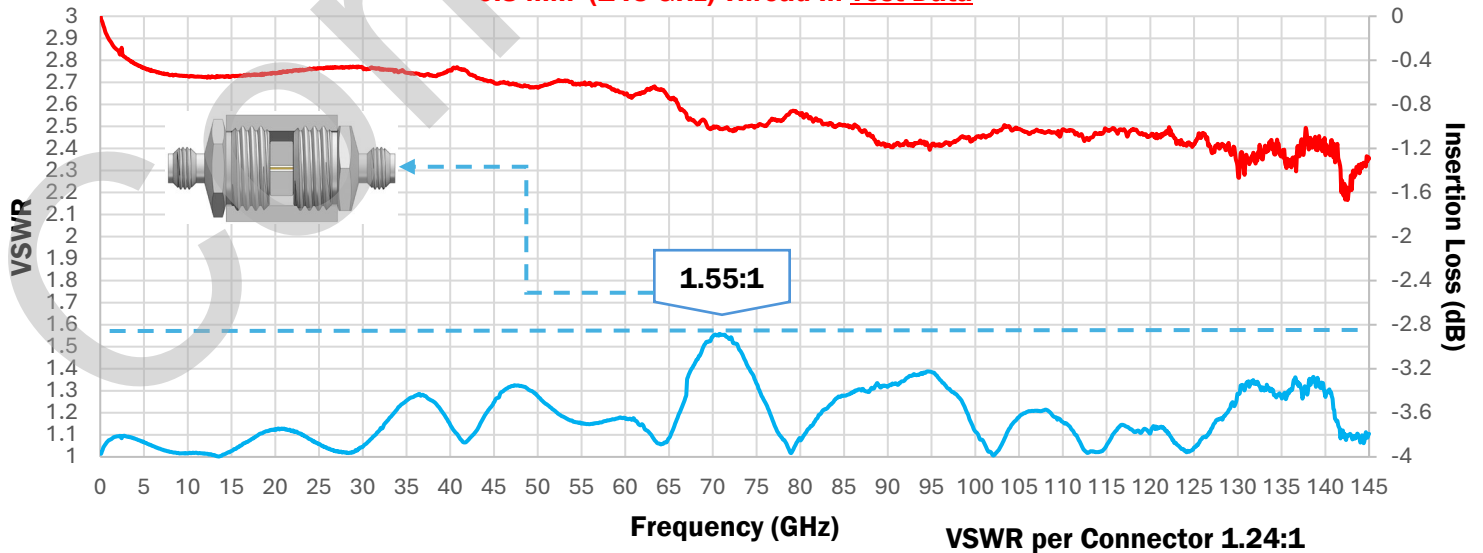
- Will mate with IEEE 287 & IEC 61169-64 standards
- DC to 145 GHz
- Field replaceable and reusable

ELECTRICAL PERFORMANCE

0.8 mm (145 GHz) Thread-In Simulation Data

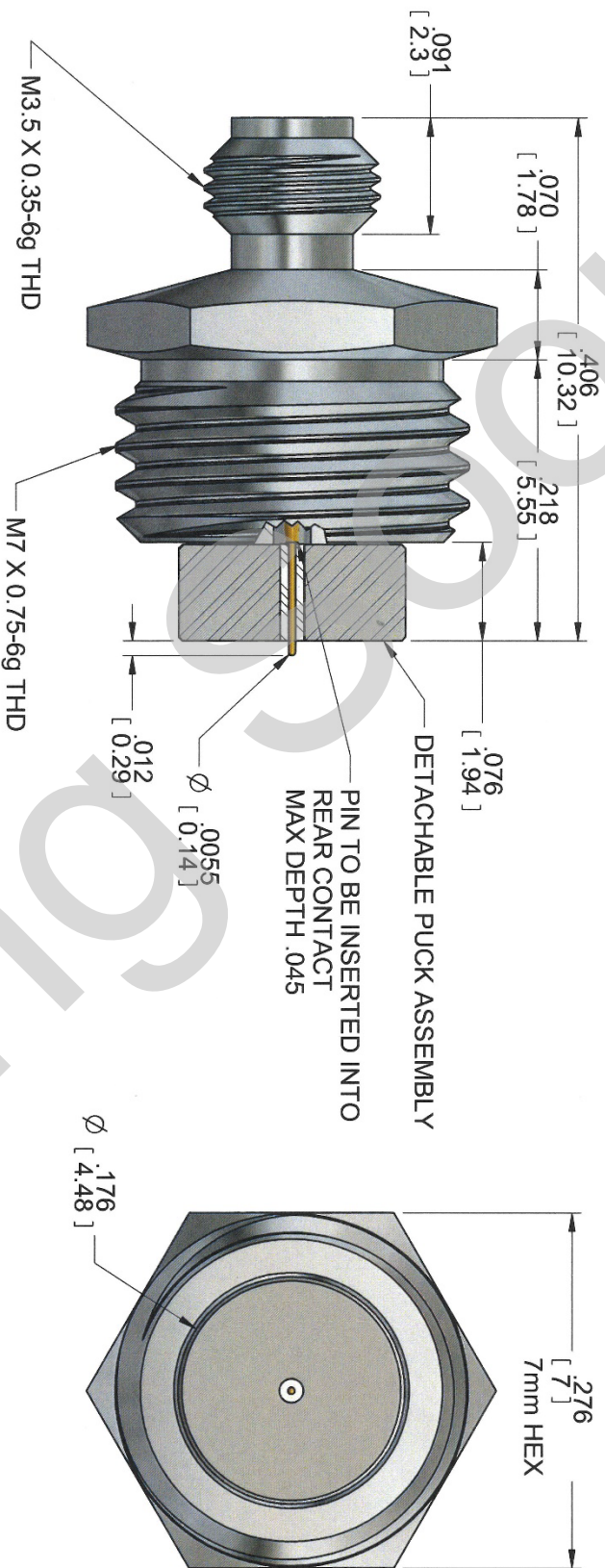


0.8 mm (145 GHz) Thread-In Test Data



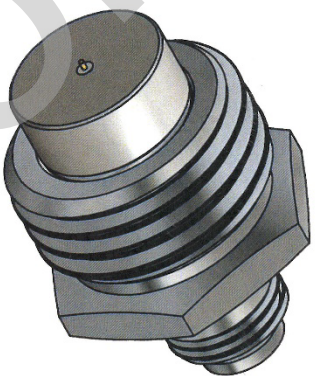
MODEL No.:
MODEL TBD

NOTE: Information herein is believed by Southwest Microwave, Inc. to be accurate. However Southwest Microwave assumes no responsibility for any omissions or errors or inaccuracies for its use or for any infringements of patents or other rights of third parties that may result from its use. Data is intended for informational purposes only and does not constitute a contract of sale or any express or implied warranty, including any warranty of merchant ability or fitness for a particular purpose.




| | |
|------------------------|--|
| HOUSING: | STEEL, CRES ALLOY UNS 30300 PER ASTM A582 PASSIVATED PER ASTM A967 |
| CONTACT: | BeCu UNS C17300 PER ASTM B196 GOLD PLATE PER ASTM B488 |
| CAPTURE BEAD: | KEL-F PER ASTM-D-1430 |
| ITEM | MATERIAL & FINISH |
| 0.8mm CONNECTOR | |

| | |
|----------------------|--|
| PUCK HOUSING: | STAINLESS STEEL ALLOY 17-4, UNS S17400 |
| PIN: | BeCu UNS C17300 PER ASTM B196 GOLD PLATE PER ASTM B488 |
| DIELECTRIC: | VIRGIN PTFE FLUOROCARBON PER ASTM D1710, TYPE 1 GRADE 1, CLASS B |
| ITEM | MATERIAL & FINISH |
| PUCK ASSEMBLY | |



1. ALL DIMENSIONS ARE IN INCHES. ALL ANGLES ARE IN DEGREES. DIMENSIONS SHOWN IN BRACKETS [XXX] ARE IN MILLIMETERS. NOTES: UNLESS OTHERWISE SPECIFIED.

| | | | | | |
|---|---------|--------------------|----------------|---------------|--|
| REV X0 | RELEASE | APPRVD [Signature] | DATE: 3/7/2024 | TITLE | MODEL TBD |
|  <p>Southwest Microwave, Inc. 9055 South Mckemy Street Tempe, Arizona 85284-2946 Telephone (480) 783-0201 Fax (480) 783-0360</p> | | | | DRN BY: CS | DATE: 03/07/24 |
| | | | | SCALE: 1:1 | DWG. NO. 79DD70415 |
| | | | | SHEET: 1 OF 1 | REV. X0 |
| | | | | | 0.8mm J THDIN (.005/.006) WITH PUCK |