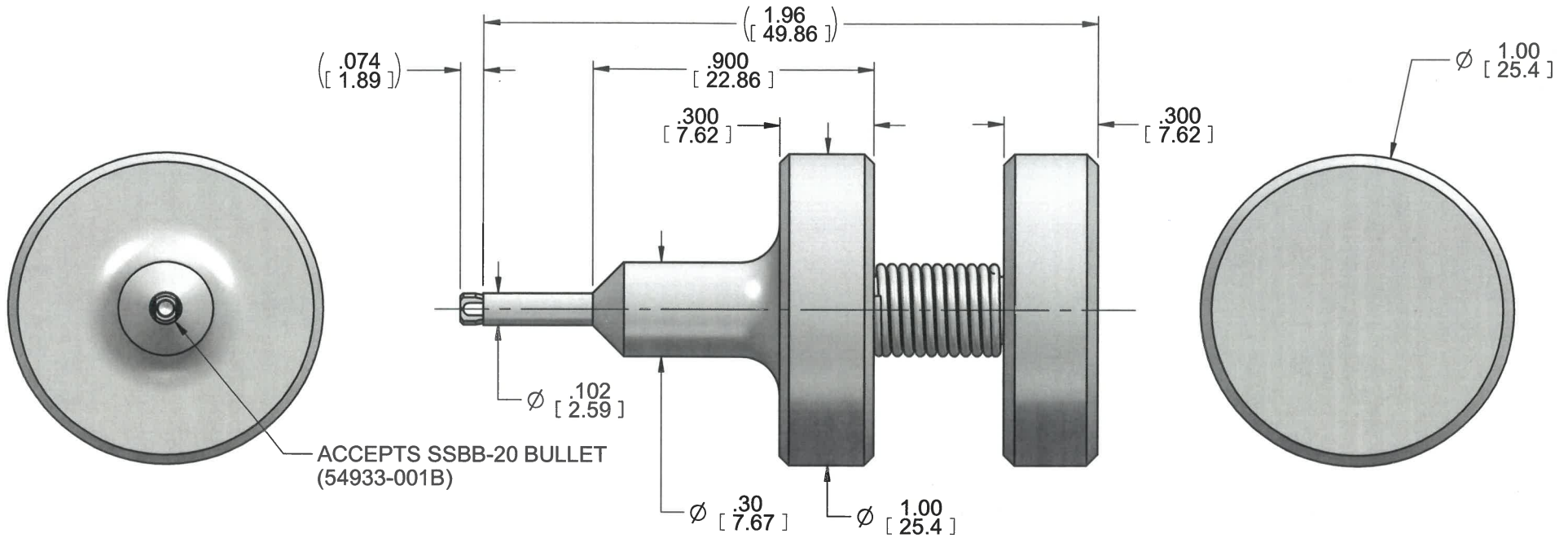


MODEL No.:

T-54933-2

NOTE: Information herein is believed by Southwest Microwave, Inc. to be accurate. However, Southwest Microwave assumes no responsibility for any omissions or errors or inaccuracies for its use or for any infringements of patents or other rights of third parties that may result from its use. Data is intended for informational purpose only and does not constitute a contract of sale or any express or implied warranty, including any warranty of merchant ability or fitness for a particular purpose.




PLUNGER	STEEL, CRES ALLOY UNS-30300 PER ASTM A582 PASSIVATED PER ASTM A967
COLLET:	BeCu ALLOY UNS-C17300 TD04 PER ASTM B197 NICKEL PLATED PER SAE-AMS 2454
SPRING:	STAINLESS STEEL ALLOY UNS-30200/30400 PER ASTM-A313
HOUSING:	STAINLESS STEEL ALLOY, UNS-S17400
ITEM	MATERIAL & FINISH

DOCUMENT CONTROL
JUN 16 2022

1. ALL DIMENSIONS ARE IN INCHES. ALL ANGLES ARE IN DEGREES. DIMENSIONS SHOWN IN BRACKETS [XXX] ARE IN MILLIMETERS.

NOTES: UNLESS OTHERWISE SPECIFIED.

REV A	RELEASE	APRVD. <i>SE</i>	DATE: 6/13/22	TITLE T-54933-2 INSTALLATION AND REMOVAL TOOL 54933-001B	
 SOUTHWEST MICROWAVE		Southwest Microwave, Inc. 9055 South McKerny Street Tempe, Arizona 85284-2946 Telephone (480) 783-0201 Fax (480) 783-0360		DRN BY: KS	DATE: 06/26/20
		DWG. NO. 79BB69239		SCALE: 2:1	REV. A
		SHEET: 1 OF 1			